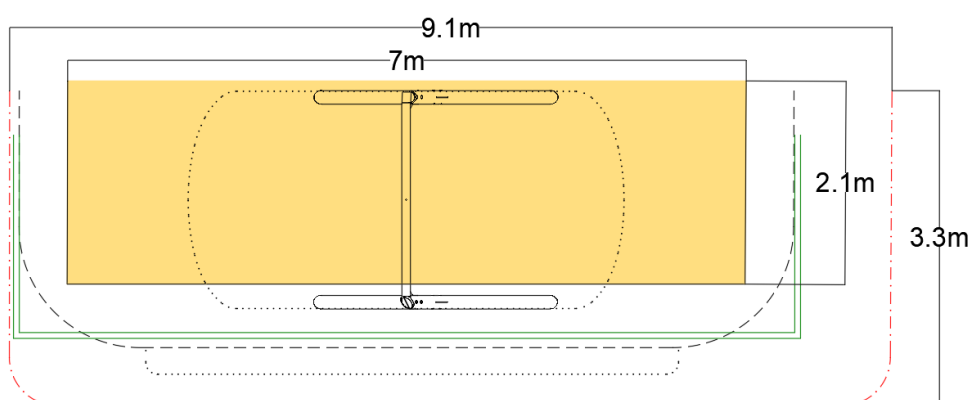
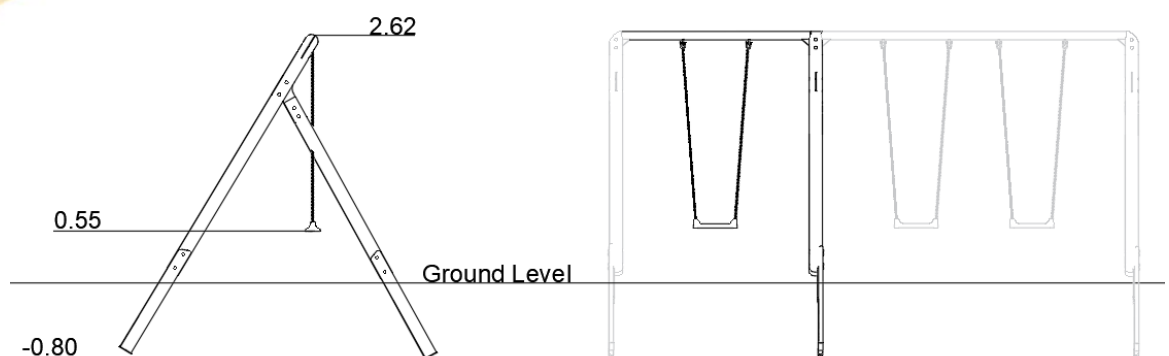


Traditional Play Junior Single Swing Timber



Circulation Area

- Loosefill Area
- Impact Area
- Free Space
- Unit Spacing Boundary

Technical Information

Equipment Dimensions

Length / Width / Height 2.5 x 2.3 x 2.6m

Surfacing and Area Required

Minimum Space Required (L,W,H) 9.1 x 3.3 x 4.1m

Max Gradient of Ground 1 in 50

Free Height of Fall 1.6m

EN 1176 Impact Area 15m²

Loosefill at 250mm
(i.e. Bark / Cushionfall / Sand) 5m³

Grasslok Tiles 9m²

Installation Information

SGF

SF (if different)

Installation Time 3 Person(s) 1.7 Hour(s)

Overall Weight 106kg 86kg

Heaviest Part 47kg

Largest Part 2.9 x 0.2m

Longest Part 2.9m

Concrete Required 0.63m³ 0.87m³

KITEMARKED TO BS EN 1176

[Click here for more information & downloads](#)

