

Timber 5-Way Huddle Swing THS



3 - 14



5



5 Play Features

Play Value



The Timber 5-way Huddle Swing is the ultimate fun-filled experience that brings children together for hours of outdoor play! This innovative swing set is designed for group fun featuring five individual swing seats arranged to create unforgettable memories side by side.

Materials & Guarantees

Timber Poles (Out of Ground) - 20 Years

Steel Ground Fixings - 20 Years

Galvanised Steel Frames - 15 Years

Chain - 3 Years

Bolts - 10 Years

Plastic Components - 5 Years

Timber 5-Way Huddle Swing THS



Fixing Options



Equipment Dimensions

Length / Width / Height	6.6m x 6.9m x 2.3m
-------------------------	--------------------

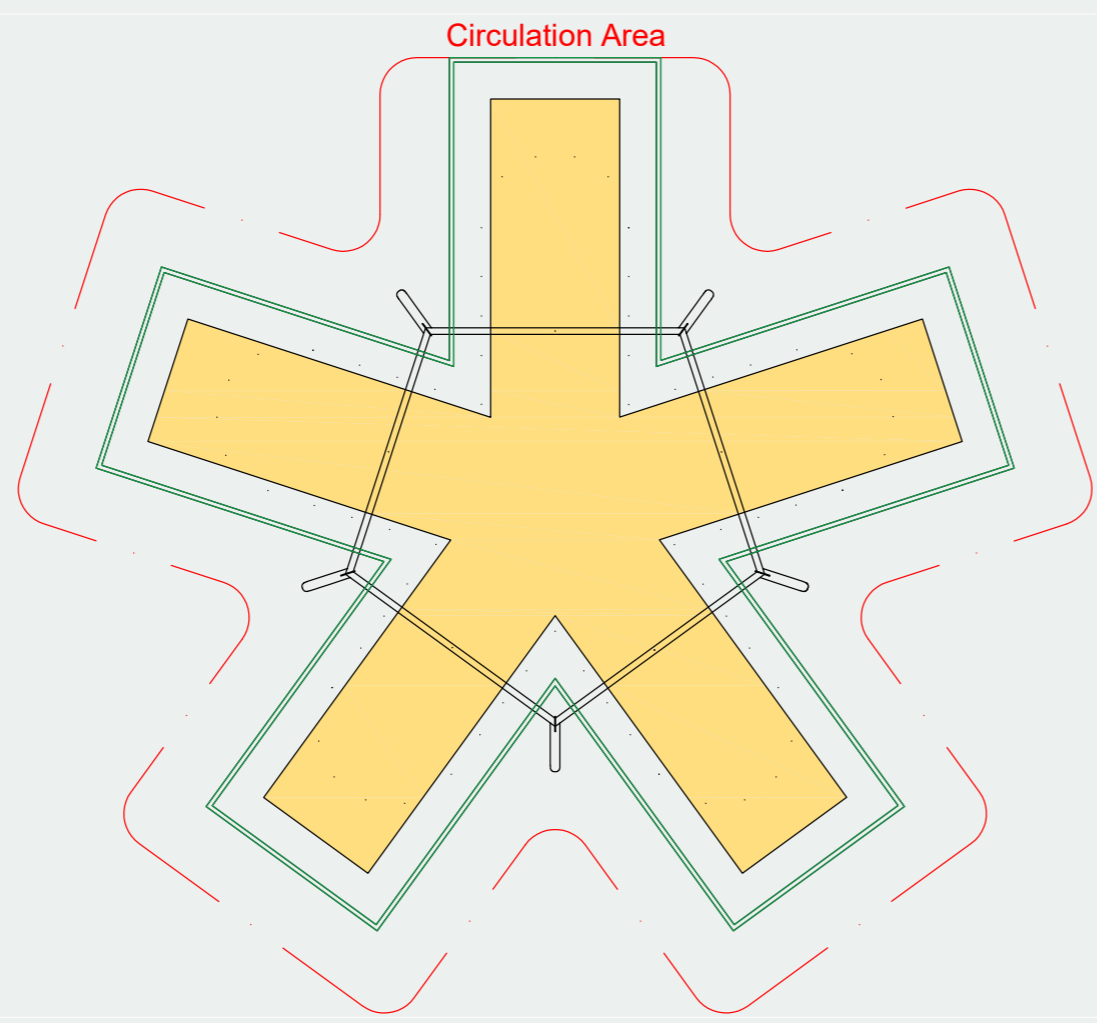
Surfacing and Area Required

Recommended Minimum Space	11.9m x 12.5m x 3.5m
Max Gradient of Ground	1 in 50
Free Height of Fall	1.5m
Synthetic Surfacing Area	44m ²
Loosefill @ 250mm Depth	17.5m ³
Grasslok (1m x 1m Tiles)	81m ²

Installation Information

Installation Time	2 Persons 10 Hours
Overall Weight	308kg
Heaviest Part	26kg
Largest Part	3.6m x 0.4m x 0.2m
Longest Part	3.6m
Concrete Required	1.2m ³

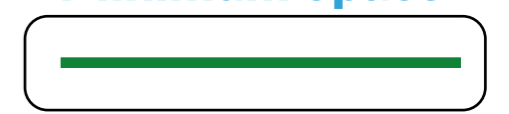
Plan View



EN1176
Impact Area



Recommended
Minimum Space



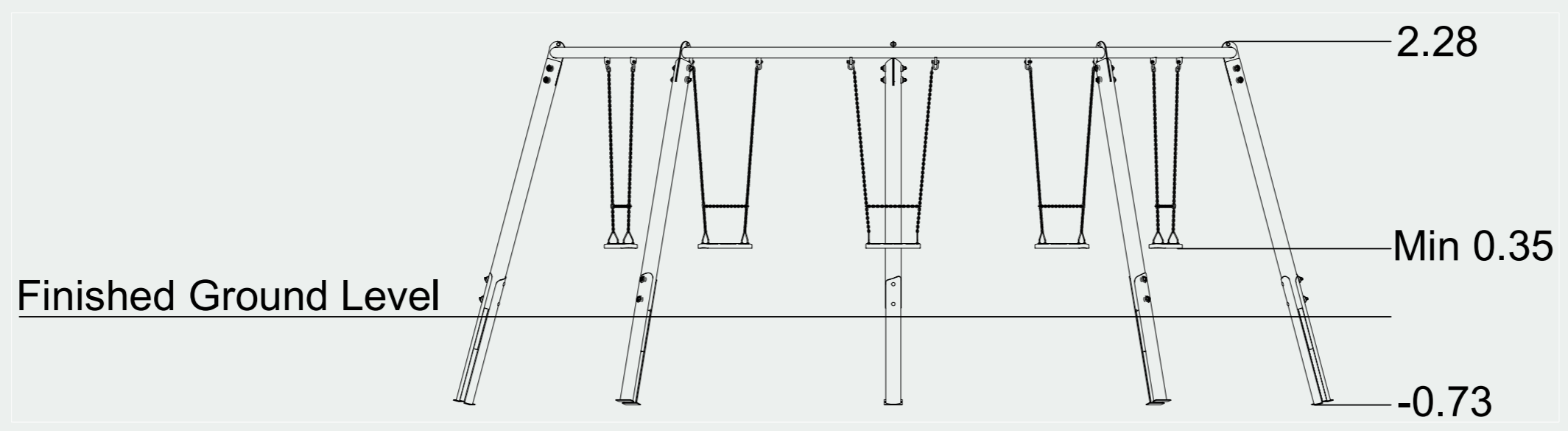
Free
Space



Synthetic
Surfacing



Side Elevation



2.28

Min 0.35

-0.73

Finished Ground Level