

Jungle Climbers - Jungle Scramble


Code - JSC
Age

2-5 years

Materials

Laminated Timber

Galvanised Steel

 Various Plastic
 Mouldings

*Note: We would not recommend this unit is installed directly onto grass due to ease of maintenance

Technical Information

Equipment Dimensions

Length / Width / Height **2.8m x 2.8m x 1.2m**

Surfacing and Area Required

Recommended Minimum Space
 L/W/H **6.5m x 6.5m x 2.5m**

Max Gradient of Ground **1:30**

Free Height of Fall **0.6m**

Impact Area **25m²**

Synthetic Area
 (i.e. EPDM / Wetpour / Synthetic Grass etc.) **17m²**

Loosefill at 150mm
 (i.e. Bark / Cushionfall / Sand) **5m³**

Grasslok Tiles **37***

Installation Information

SGF
SF (if different)

Installation Time **1 Person(s) 2 Hour(s)**

Overall Weight **98kg** **93kg**

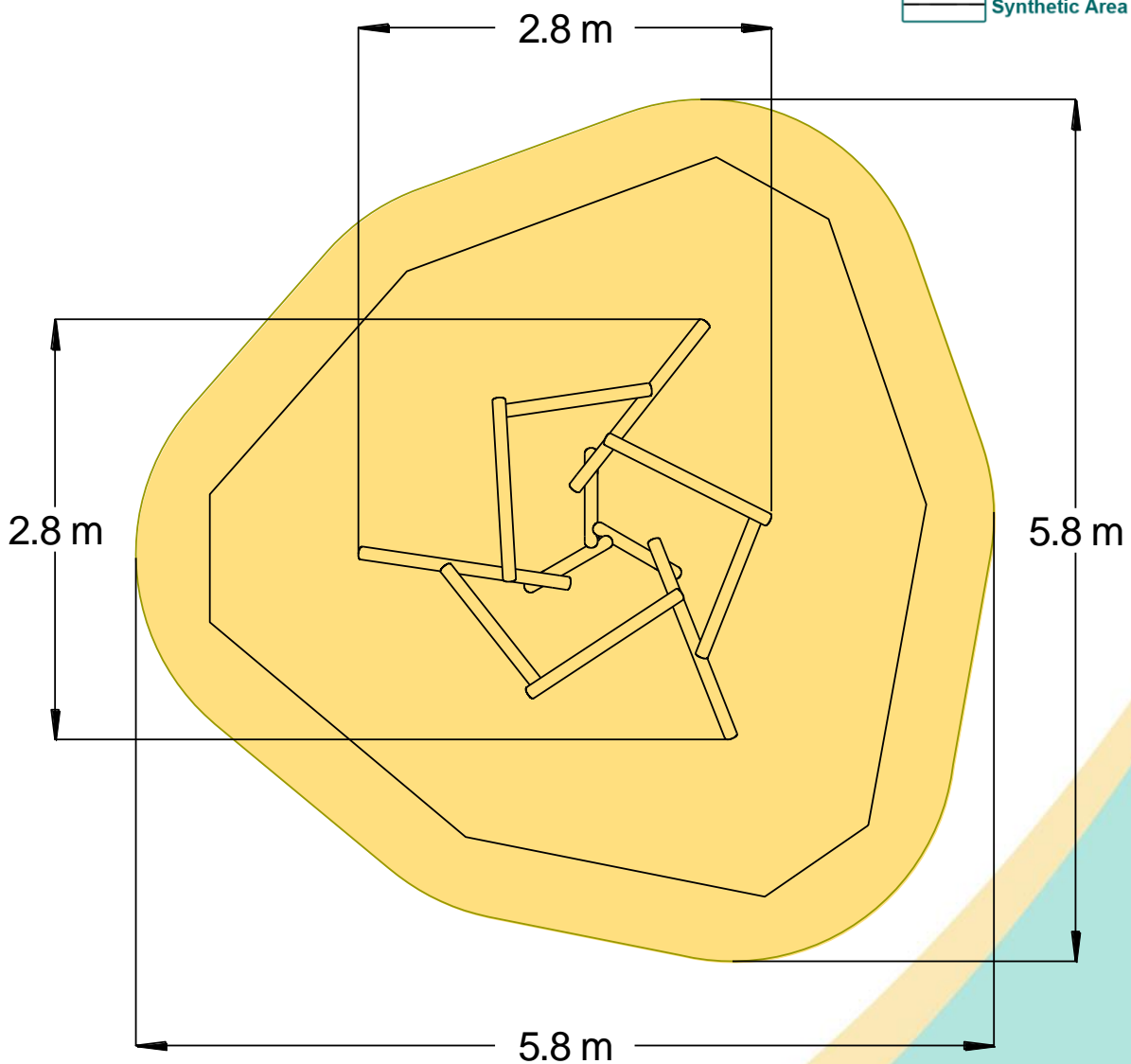
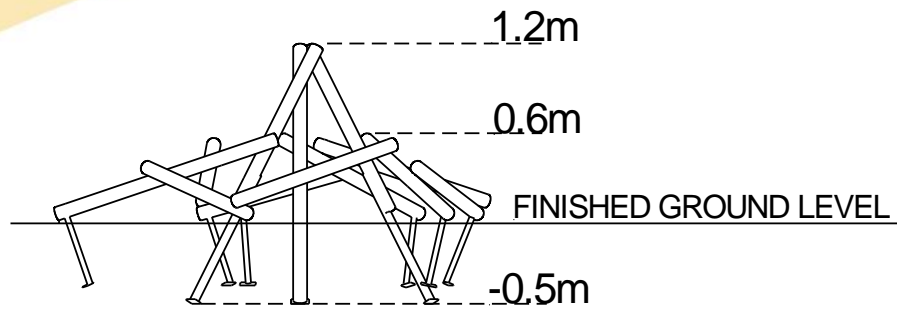
Heaviest Part **7kg**

Largest Part **1.7m x 0.09m**

Longest Part **1.7m**

Concrete Required **0.54m³** **0.52m³**

[Click here for more information & downloads](#) 



[Click here for more information & downloads](#)

