



Jukebox – Reggae Lite



-  Option A-
Dark Blue/Yellow
(Shown)
-  Option B-
Purple/Lime Green
-  Option C-
Green

Code – QJBREG024

Age
5-12 years
Materials
Laminated Timber
Compact Grade Laminate (CGL)
Galvanised or Painted Mild Steel
Nylon Steel Cored Rope
Stainless Steel Slide
Sawn Timber
Various Plastic Mouldings

A junior tower system comprising of:

- Square Tower (1.5m)
- Triangular Tower (1.5m)
- Slide (1.5m)
- Inverted Climber (1.5m)
- Rope Ramp (1.5m)
- Blank Slotted Panel
- Bridge

Technical Information

Equipment Dimensions

Length / Width / Height **4.3m x 3.5m x 3.4m**

Surfacing and Area Required

Recommended Minimum Space
L/W/H **8.2m x 7.1m x 4.6m**

Max Gradient of Ground **1 in 50**

Free Height of Fall **1.5m**

Impact Area **35.15m²**

Synthetic Area
(i.e. EPDM / Wetpour / Synthetic Grass etc.) **36m²**

Loosefill at 250mm
(i.e. Bark / Cushionfall / Sand) **12m³**

Grasslok Tiles **48m²**

Installation Information

Steel Ground Fixed

Surface Fixed
(if different)

Installation Time **2 Person(s) 8 Hour(s)**

Overall Weight **680kg**

Heaviest Part **40kg**

Largest Part **3.3m x 1.0m x 1.7m**

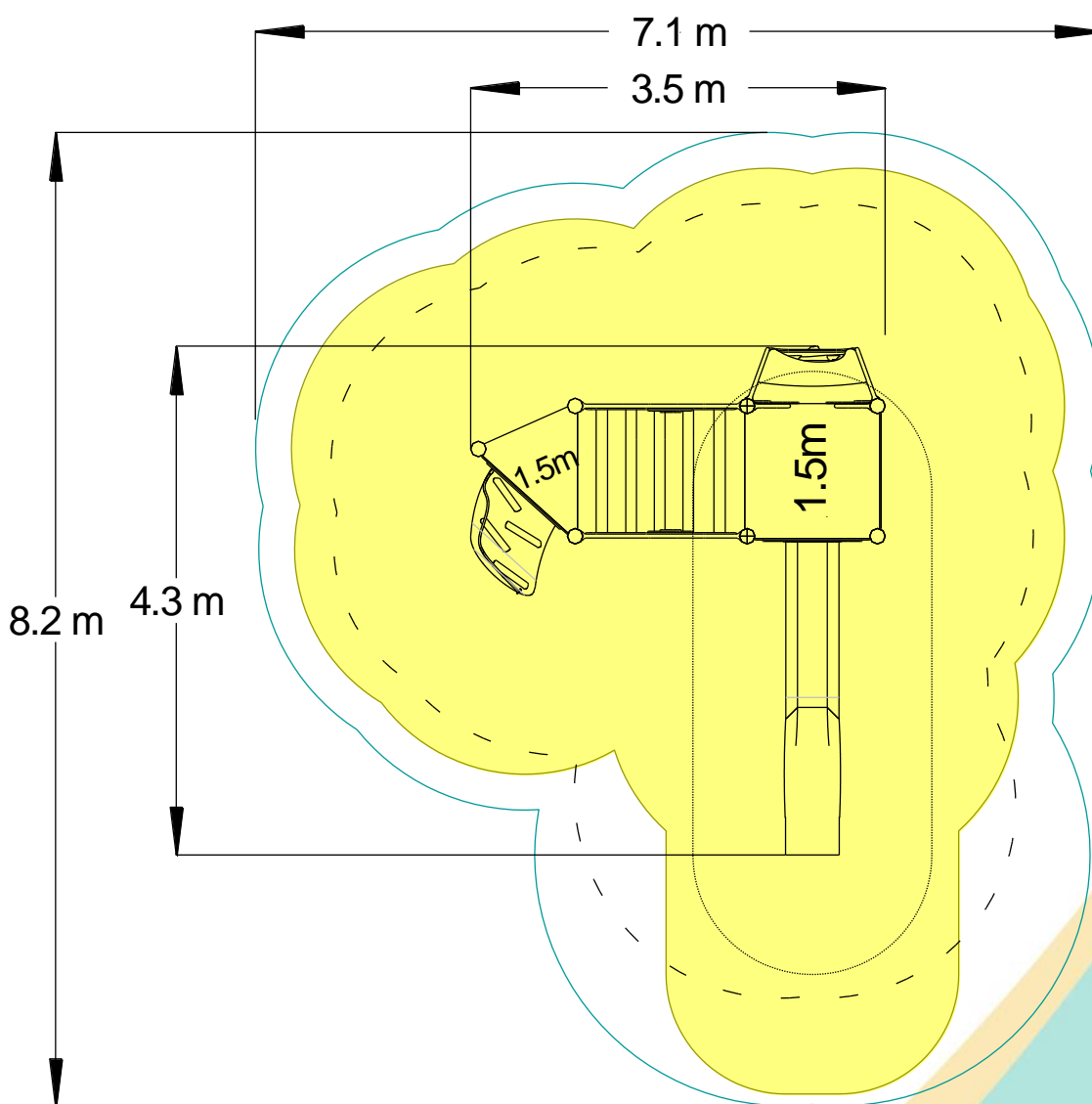
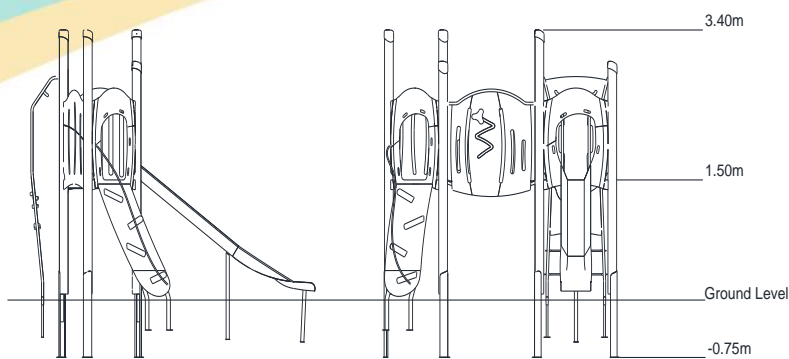
Longest Part **3.3m**

Concrete Required **0.82m³**

Certified to EN 1176

[Click here for more information & downloads](#)





-  Impact Area
-  Free Space
-  Synthetic Area

[Click here for more information & downloads](#)

