



## Jukebox – Reggae Lite



-  Option A-  
Dark Blue/Yellow  
(Shown)
-  Option B-  
Purple/Lime Green
-  Option C-  
Green

### Code – QJBREG023

<b>Age</b>	5-12 years
<b>Materials</b>	Laminated Timber Compact Grade Laminate (CGL) Galvanised or Painted Mild Steel Nylon Steel Cored Rope LLDPE Slide Sawn Timber Various Plastic Mouldings

#### A junior tower system comprising of:

- Square Tower (1.5m)
- Triangular Tower (1.5m)
- Slide (1.5m)
- Inverted Climber (1.5m)
- Rope Ramp (1.5m)
- Blank Slotted Panel
- Bridge

### Technical Information

#### Equipment Dimensions

Length / Width / Height **4.1m x 3.5m x 3.4m**

#### Surfacing and Area Required

Recommended Minimum Space  
L/W/H **8.0m x 7.1m x 4.6m**

Max Gradient of Ground **1 in 50**

Free Height of Fall **1.5m**

Impact Area **34.2m<sup>2</sup>**

Synthetic Area  
(i.e. EPDM / Wetpour / Synthetic Grass etc.) **36m<sup>2</sup>**

Loosefill at 250mm  
(i.e. Bark / Cushionfall / Sand) **12m<sup>3</sup>**

Grasslok Tiles **47m<sup>2</sup>**

#### Installation Information

Steel Ground Fixed

Surface Fixed  
(if different)

Installation Time **2 Person(s) 11 Hour(s)**

Overall Weight **680kg**

Heaviest Part **40kg**

Largest Part **3.3m x 1.0m x 1.7m**

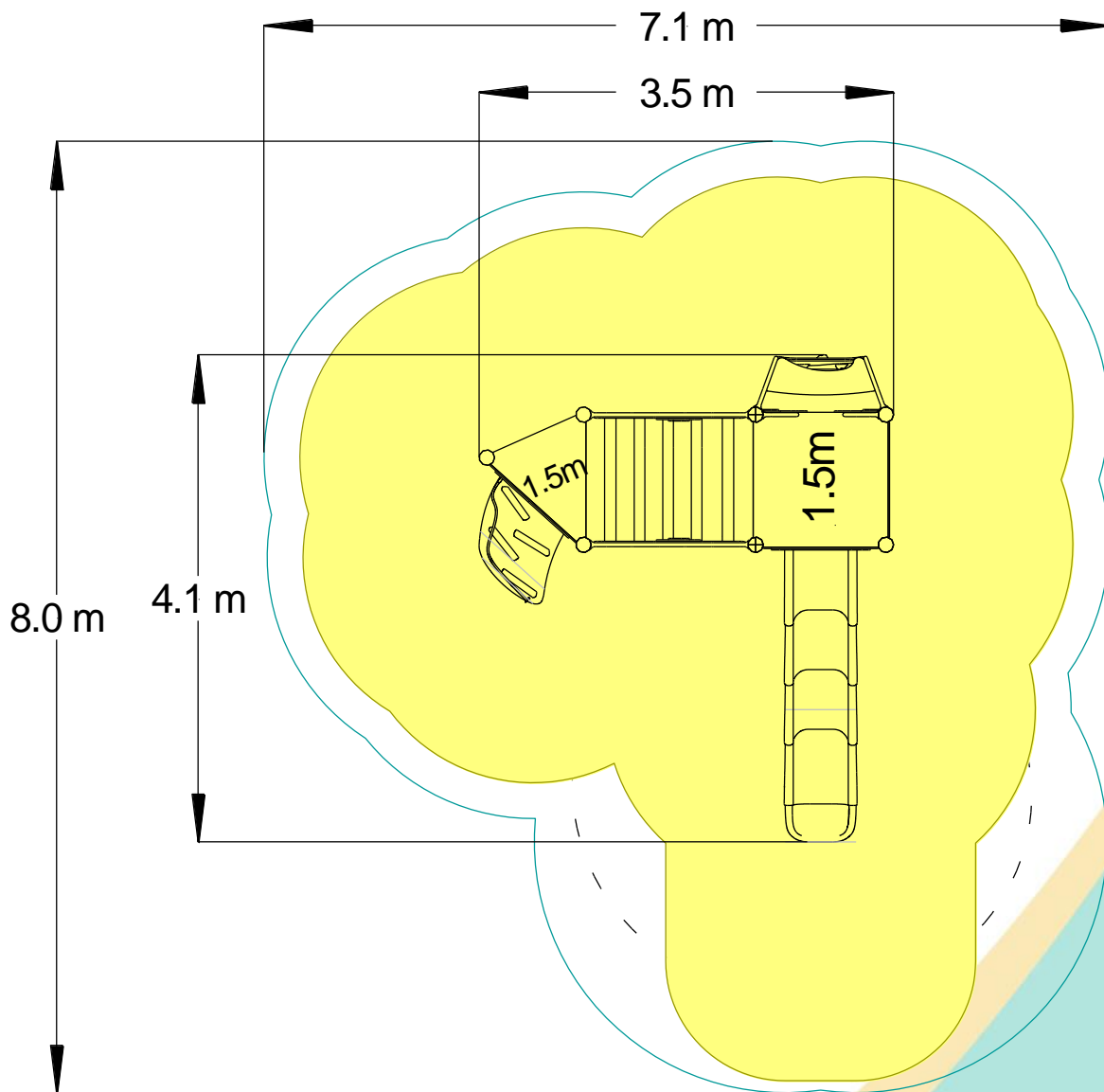
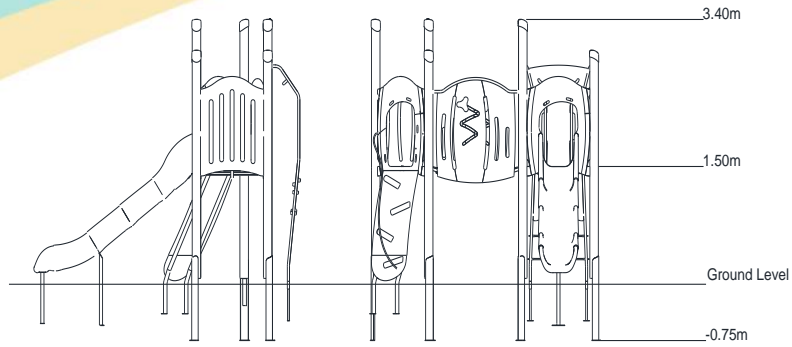
Longest Part **3.3m**

Concrete Required **0.82m<sup>3</sup>**

Certified to EN 1176

[Click here for more information & downloads](#)





-  Impact Area
-  Free Space
-  Synthetic Area

[Click here for more information & downloads](#)

