

Little Hamlets – Merrymeet Lite



-  Option A-
Light Blue/Yellow
-  Option B-
Purple/Yellow
-  Option C-
Green
(Shown)

A toddler tower system comprising of:

- Square Tower (0.55m)
- Square Tower (0.9m)
- Bench Seat
- Slide (0.9m)
- Ramp Climber (0.9m)
- Transfer Platform
- Inclined Bridge
- Tunnel
- Animal Home Trail Play Panel
- Adding Wheel Play Panel
- Bubble Play Panel
- Finger Maze Play Panel

Code – QLTHMER025	
Age	2-5 years
Materials	Laminated Timber Compact Grade Laminate (CGL) Galvanised or Painted Mild Steel Nylon Steel Cored Rope LLDPE Slide Stainless Steel Sawn Timber Various Plastic Mouldings

Technical Information

Equipment Dimensions

Length / Width / Height **4.3m x 3.9m x 2.2m**

Surfacing and Area Required

Recommended Minimum Space
L/W/H **7.6m x 7.2m x 3.4m**

Max Gradient of Ground **1 in 50**

Free Height of Fall **0.9m**

Impact Area **31.07m²**

Synthetic Area
(i.e. EPDM / Wetpour / Synthetic Grass etc.) **28.87m²**

Loosefill at 250mm
(i.e. Bark / Cushionfall / Sand) **11m³**

Grasslok Tiles **40m²**

Installation Information

Steel Ground Fixed

Surface Fixed
(if different)

Installation Time **2 Person(s) 18 Hour(s)**

Overall Weight **507kg**

Heaviest Part **20kg**

Largest Part **1.8m x 0.5m x 0.5m**

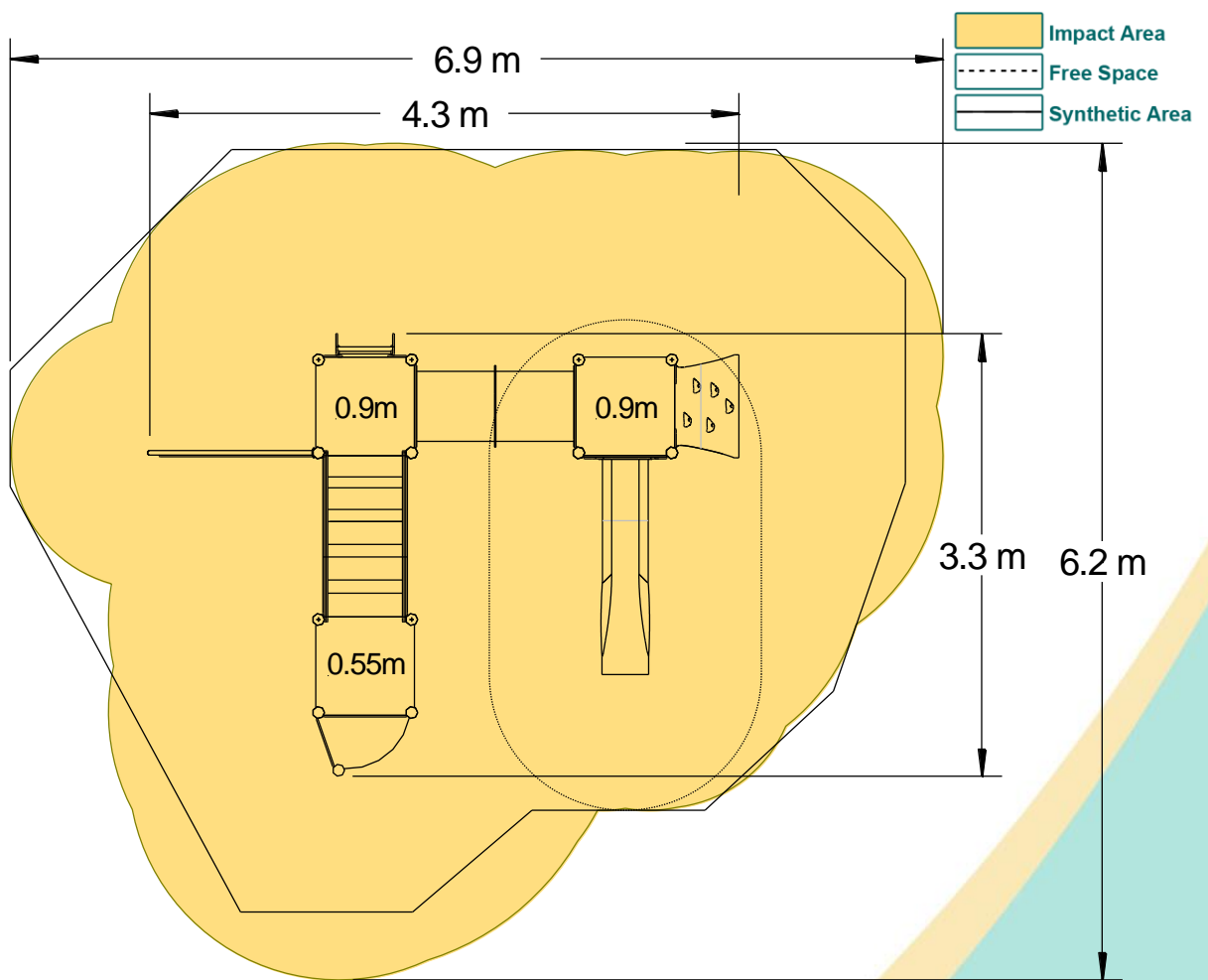
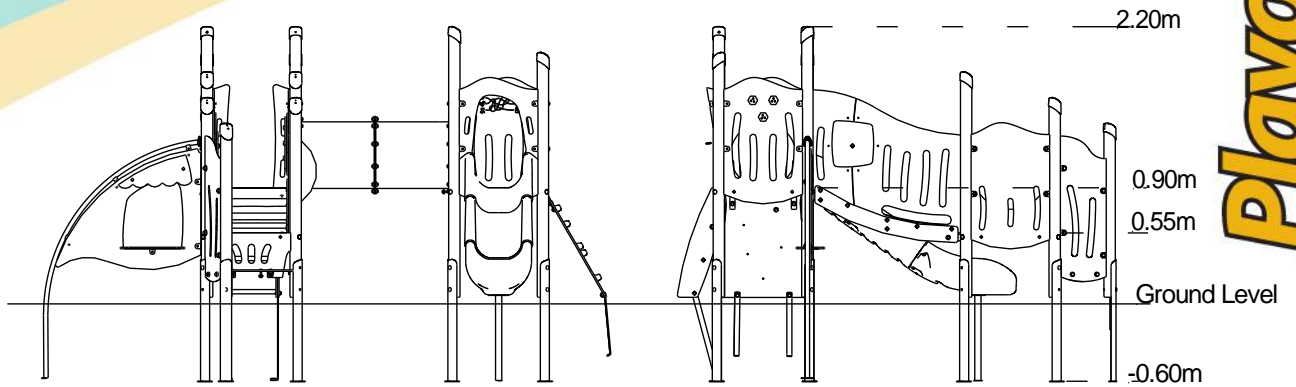
Longest Part **1.8m**

Concrete Required **1.2m³**

Certified to EN 1176

[Click here for more information & downloads](#)





[Click here for more information & downloads](#)

