

## Little Hamlets – Littlebeck Lite



-  Option A-  
Light Blue/Yellow
-  Option B-  
Purple/Yellow
-  Option C-  
Green  
(Shown)

### A toddler tower system comprising of:

- Square Tower (1.25m) Slide (0.55m)
- Slide (1.25m)
- Arched Net Climber (1.25m)
- Finger Maze Play Panel
- Animal Home Trail Play Panel

### Code – QLTHLTB014

<b>Age</b>	2-5 years
<b>Materials</b>	Laminated Timber Compact Grade Laminate (CGL) Galvanised or Painted Mild Steel Nylon Steel Cored Rope Stainless Steel Slide Stainless Steel Various Plastic Mouldings

## Technical Information

### Equipment Dimensions

Length / Width / Height **3.7m x 1.0m x 2.6m**

### Surfacing and Area Required

Recommended Minimum Space L/W/H **7.6m x 4.6m x 3.9m**

Max Gradient of Ground **1 in 50**

Free Height of Fall **1.25m**

Impact Area **25.92m<sup>2</sup>**

Synthetic Area (i.e. EPDM / Wet Pour / Synthetic Grass etc.) **23m<sup>2</sup>**

Loosefill at 250mm (i.e. Bark / Cushionfall / Sand) **9m<sup>3</sup>**

GrassLok Tiles **33m<sup>2</sup>**

### Installation Information

Steel Ground Fixed

Surface Fixed  
(if different)

Installation Time **2 Person(s) 5 Hour(s)**

Overall Weight **182kg**

Heaviest Part **27kg**

Largest Part **2.1m x 0.5m x 0.5m**

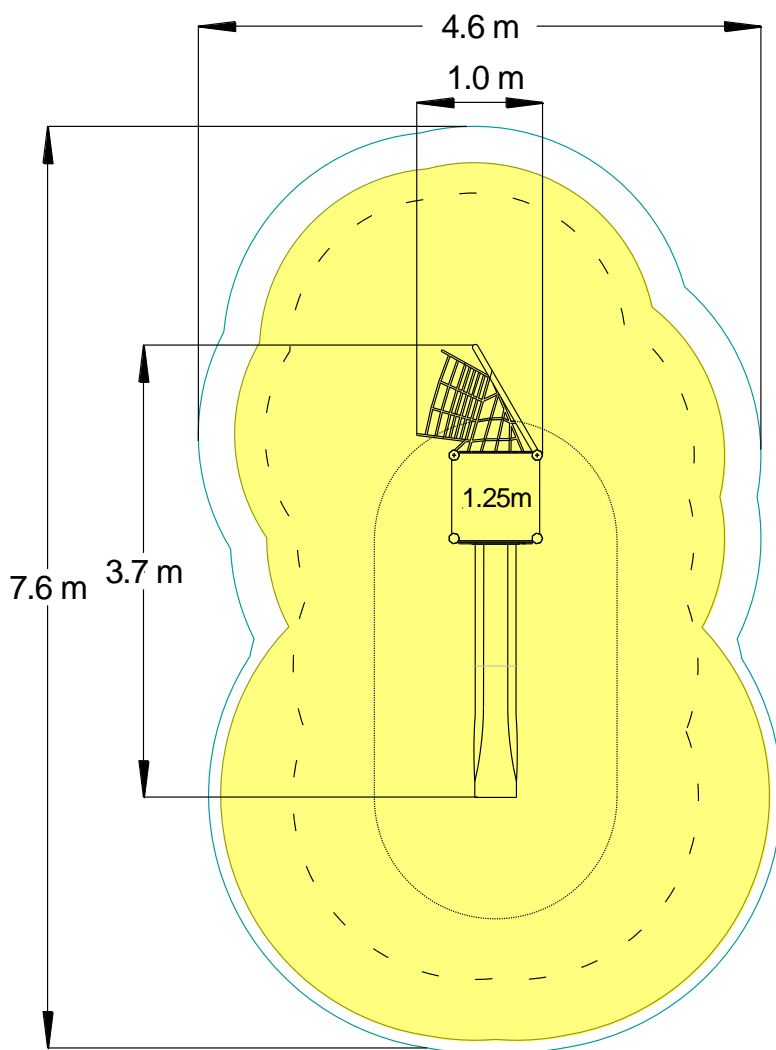
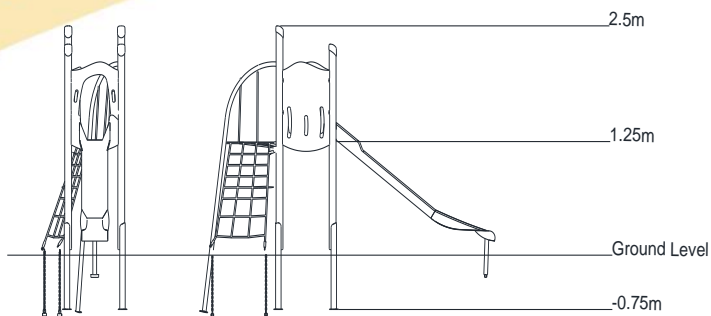
Longest Part **2.1**

Concrete Required **0.435m<sup>3</sup>**

Certified to EN 1176

[Click here for more information & downloads](#)





-  Recommended Minimum Space
-  Impact Area
-  Free Space
-  Unit Spacing Boundary

[Click here for more information & downloads](#)

