

Jukebox – Breakbeat Lite



 Option A-
Dark Blue/Yellow

 Option B-
Purple/Lime Green

 Option C-
Green
(Shown)

Code – QJBBRK027

Age

5-12 years

Materials

Laminated Timber

Compact Grade Laminate (CGL)

Galvanised or Painted Mild Steel

Nylon Steel Cored Rope

Stainless Steel

Sawn Timber

Various Plastic Mouldings

A junior modular tower system comprising of:

- 2 x Square Towers (1.5m)
- Slide (1.5m)
- Fireman's Pole (1.5m)
- Rope Ramp (1.5m)
- Twisted Scramble Net (1.5m)
- 2 x Blank Slotted Panel
- Net Tunnel

Technical Information

Equipment Dimensions

Length / Width / Height **5.6m x 3.8m x 3.4m**

Surfacing and Area Required

Recommended Minimum Space
L/W/H **9.2m x 7.7m x 4.6m**

Max Gradient of Ground **1 in 50**

Free Height of Fall **1.5m**

Impact Area **43.35m²**

Synthetic Area **46m²**

(i.e. EPDM / Wetpour / Synthetic Grass etc.)

Loosefill at 250mm **15m³**

(i.e. Bark / Cushionfall / Sand)

Grasslok Tiles **59m²**

Installation Information

Steel Ground Fixed

Surface Fixed
(if different)

Installation Time **2 Person(s) 7 Hour(s)**

Overall Weight **507kg**

Heaviest Part **80kg**

Largest Part **3.3m x 1.0m x 1.7m**

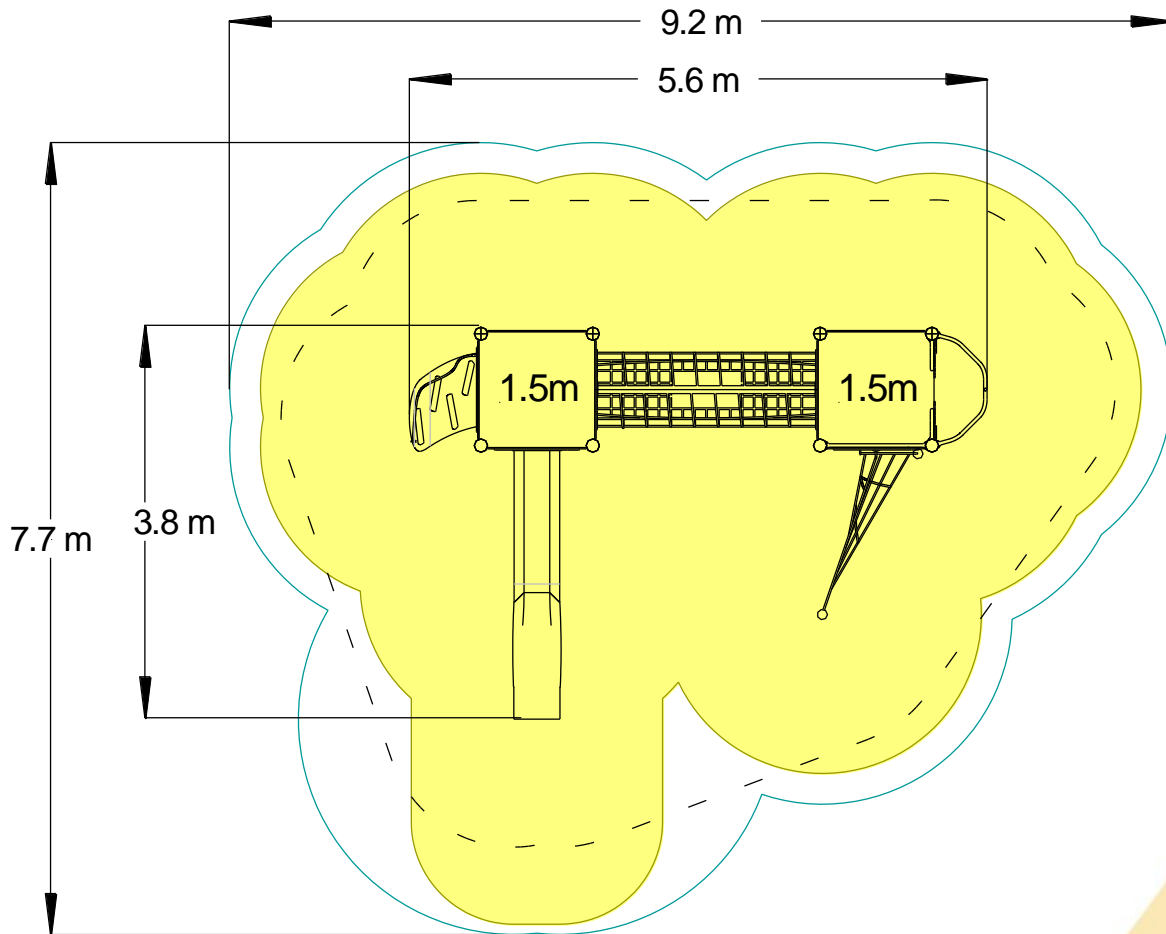
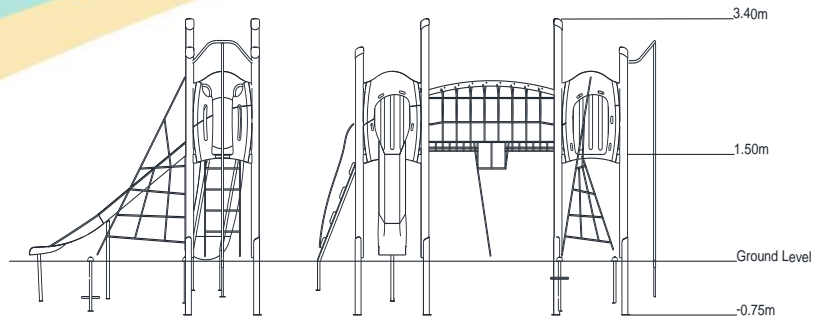
Longest Part **3.3m**

Concrete Required **0.97m³**

Certified to EN 1176

[Click here for more information & downloads](#)





-  Impact Area
-  Free Space
-  Synthetic Area

[Click here for more information & downloads](#)

