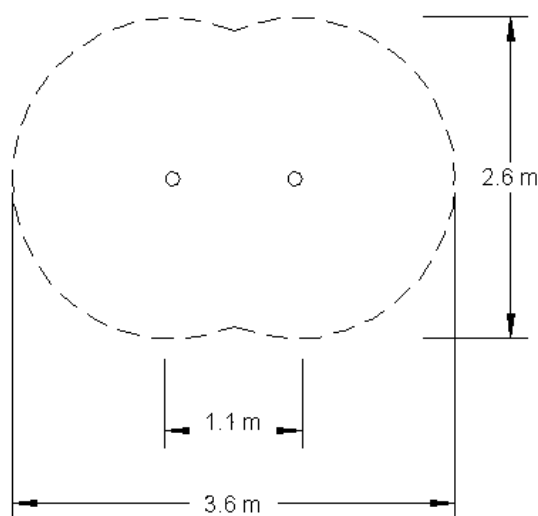
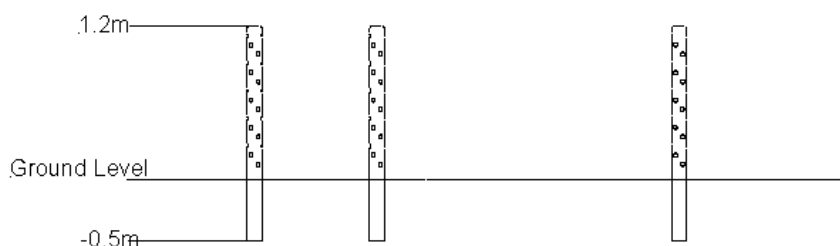


Weave Poles (Configuration 2)



-  Loosefill Area
-  Suggested Hardstanding
-  Free Space
-  Unit Spacing Boundary

Technical Information

Equipment Dimensions

Length / Width / Height **0.1m x 1.1m x 1.2m**

Surfacing and Area Required

Minimum Space Required L/W/H **2.6m x 3.6m x 2.8m**

Max Gradient Of Ground **1 in 30**

Free Height Of Fall **n/a**

Hardstanding **n/a**

Installation Information

Overall Weight **33kg**

Heaviest Part **15kg**

Largest Part **1.8m x 0.1m**

Longest Part **1.8m**

Concrete Required **0.13m³**

Note: To avoid the risk of injury Playdale would recommend the removal of the rope(s) from the play area when the unit is left unsupervised and stored out of reach of children.