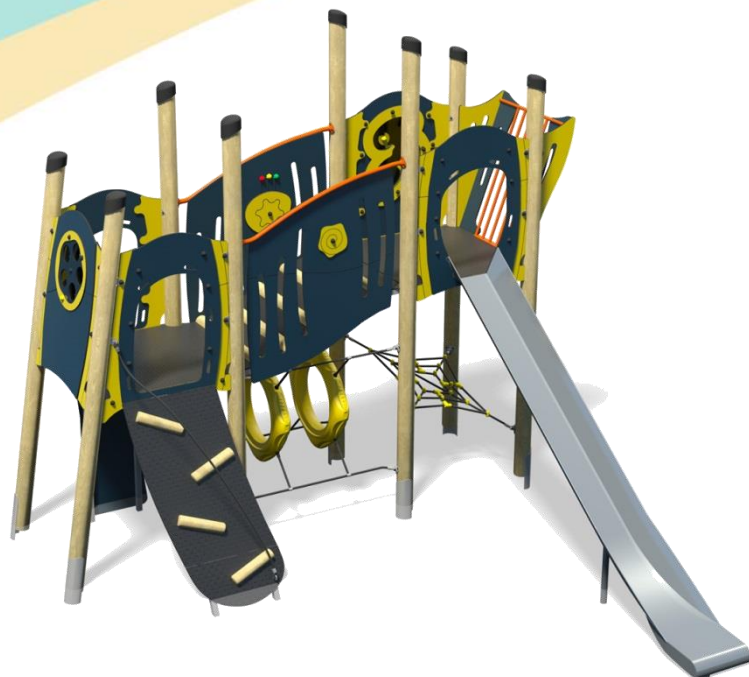


## Jukebox – New Wave Plus



-  Option A-  
Dark Blue/Yellow  
(Shown)
-  Option B-  
Purple/Lime Green
-  Option C-  
Green

**Code – JB/NEW/\*2**

<b>Age</b>
5-12 years
<b>Materials</b>
Laminated Timber
Compact Grade Laminate (CGL)
Galvanised or Painted Mild Steel
Nylon Steel Cored Rope
Stainless Slide
Sawn Timber
Various Plastic Mouldings

### A junior tower system comprising of:

- Square Tower (1.9m)
- Angled Tower (1.5m)
- Slide (1.9m)
- Climbing Wall (1.5m)
- Rope Ramp (1.5m)
- Ring Crawl Tunnel
- Inclined Bridge
- Lookout Tower
- Net Seat
- Ball Blast Play Panel
- Spinball Play Panel

### Technical Information

#### Equipment Dimensions

Length / Width / Height **4.4m x 4.4m x 3.8m**

#### Surfacing and Area Required

Recommended Minimum Space  
L/W/H **7.7m x 8.0m x 5.0m**

Max Gradient of Ground **1 in 50**

Free Height of Fall **1.9m**

Impact Area **40.16m<sup>2</sup>**

Synthetic Area  
(i.e. EPDM / Wetpour / Synthetic Grass etc.) **41.72m<sup>2</sup>**

Loosefill at 250mm  
(i.e. Bark / Cushionfall / Sand) **13m<sup>3</sup>**

Grasslok Tiles **55m<sup>2</sup>**

#### Installation Information

Steel Ground Fixed

Surface Fixed  
(if different)

Installation Time **2 Person(s) 11 Hour(s)**

Overall Weight **805kg**

Heaviest Part **40kg**

Largest Part **2.4m x 0.9m x 0.6m**

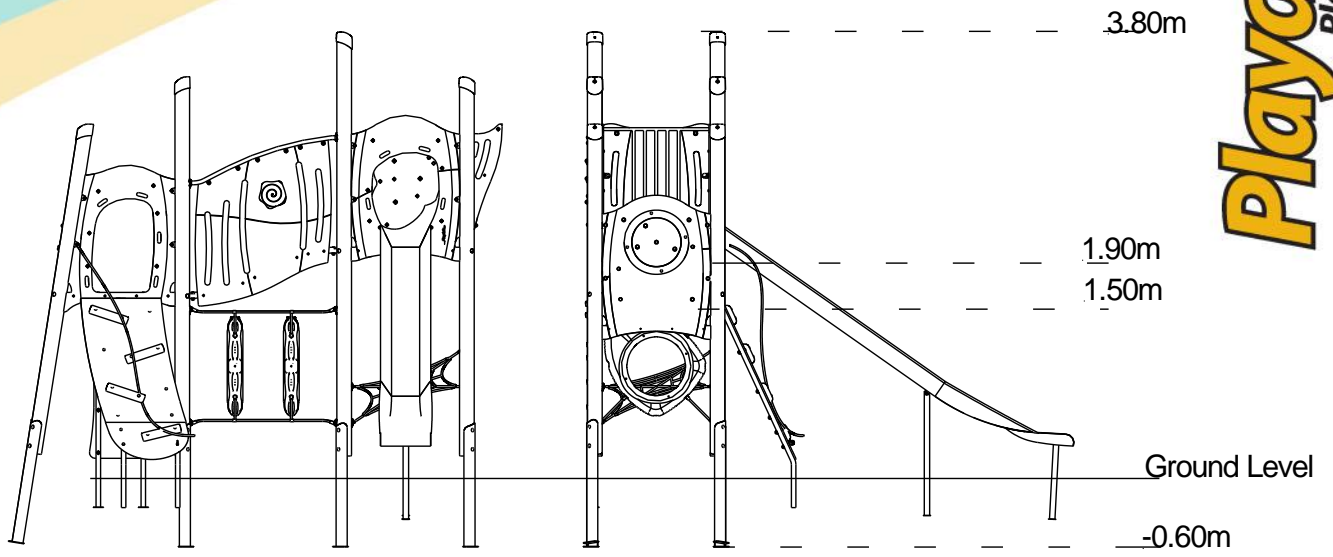
Longest Part **3.7m**

Concrete Required **0.8m<sup>3</sup>**

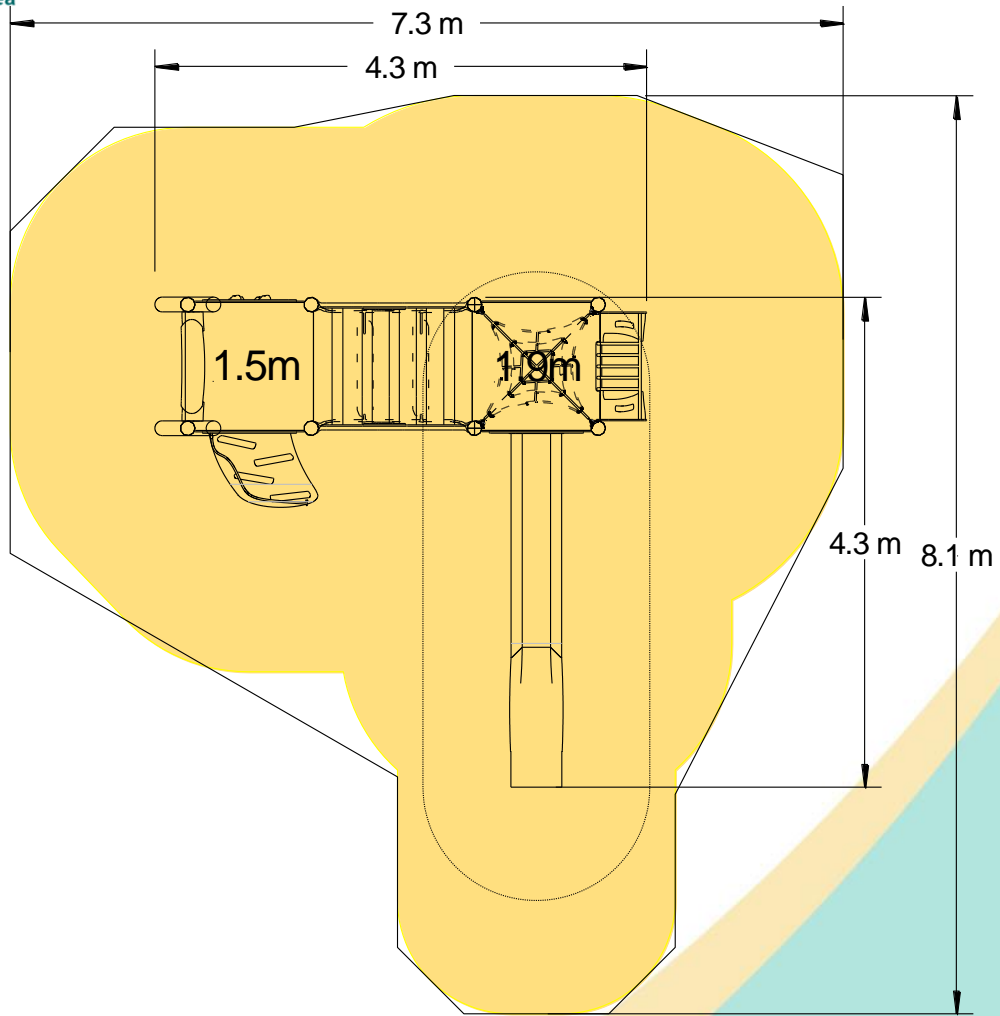
Certified to EN 1176

[Click here for more information & downloads](#)





-  Impact Area
-  Free Space
-  Synthetic Area



[Click here for more information & downloads](#)

