



Jukebox – New Wave Plus



-  Option A-
Dark Blue/Yellow
(Shown)
-  Option B-
Purple/Lime Green
-  Option C-
Green

Code – JB/NEW/*1	
Age	5-12 years
Materials	Laminated Timber Compact Grade Laminate (CGL) Galvanised or Painted Mild Steel Nylon Steel Cored Rope LLDPE Slide Sawn Timber Various Plastic Mouldings

A junior tower system comprising of:

- Square Tower (1.9m)
- Angled Tower (1.5m)
- Slide (1.9m)
- Climbing Wall (1.5m)
- Rope Ramp (1.5m)
- Ring Crawl Tunnel
- Inclined Bridge
- Lookout Tower
- Net Seat
- Ball Blast Play Panel
- Spinball Play Panel

Technical Information

Equipment Dimensions

Length / Width / Height **4.2m x 4.4m x 3.8m**

Surfacing and Area Required

Recommended Minimum Space
L/W/H **7.7m x 8.0m x 5.0m**

Max Gradient of Ground **1 in 50**

Free Height of Fall **1.9m**

Impact Area **40.68m²**

Synthetic Area
(i.e. EPDM / Wetpour / Synthetic Grass etc.) **41.52m²**

Loosefill at 250mm
(i.e. Bark / Cushionfall / Sand) **12m³**

Grasslok Tiles **52m²**

Installation Information

Steel Ground Fixed

Surface Fixed
(if different)

Installation Time **2 Person(s) 11 Hour(s)**

Overall Weight **805kg**

Heaviest Part **40kg**

Largest Part **2.4m x 0.9m x 0.6 m**

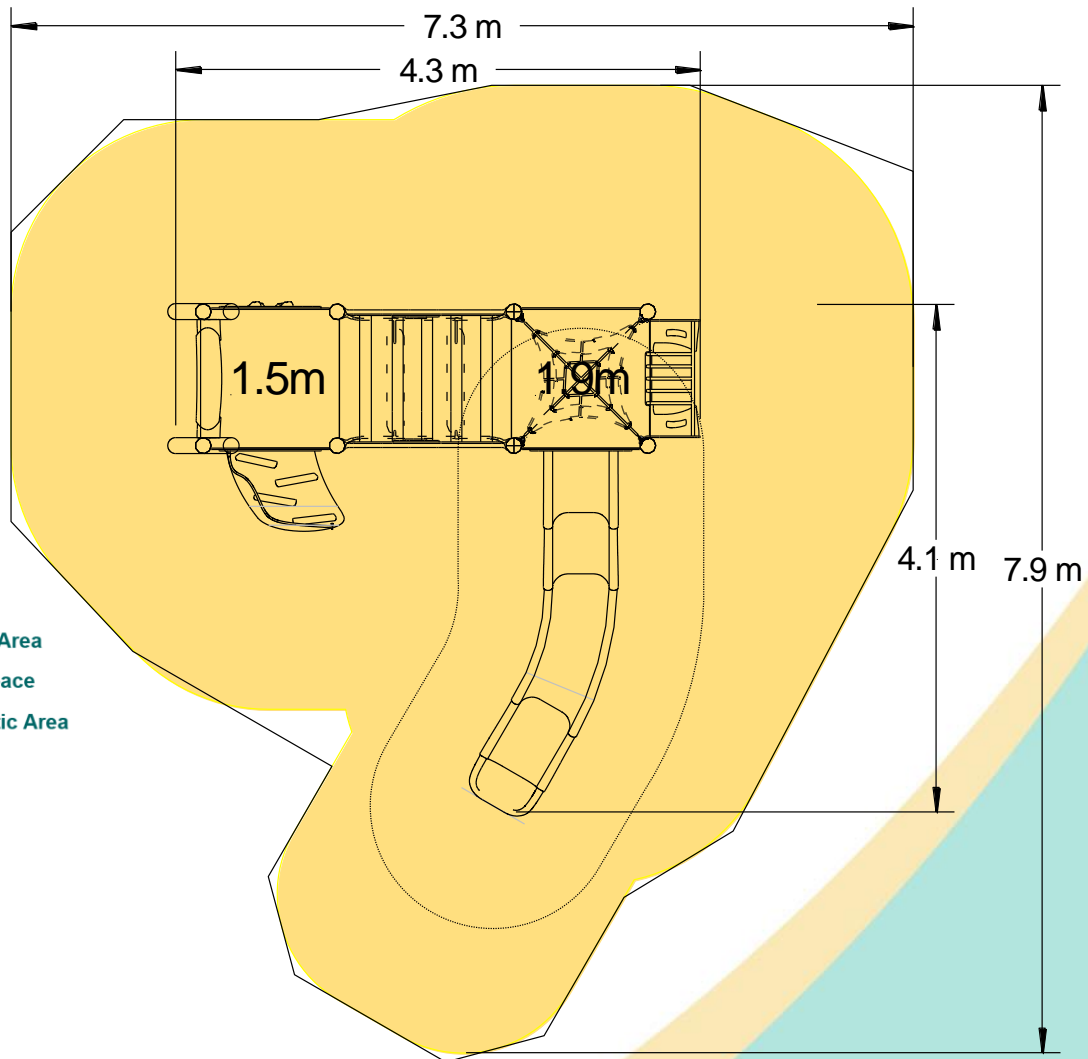
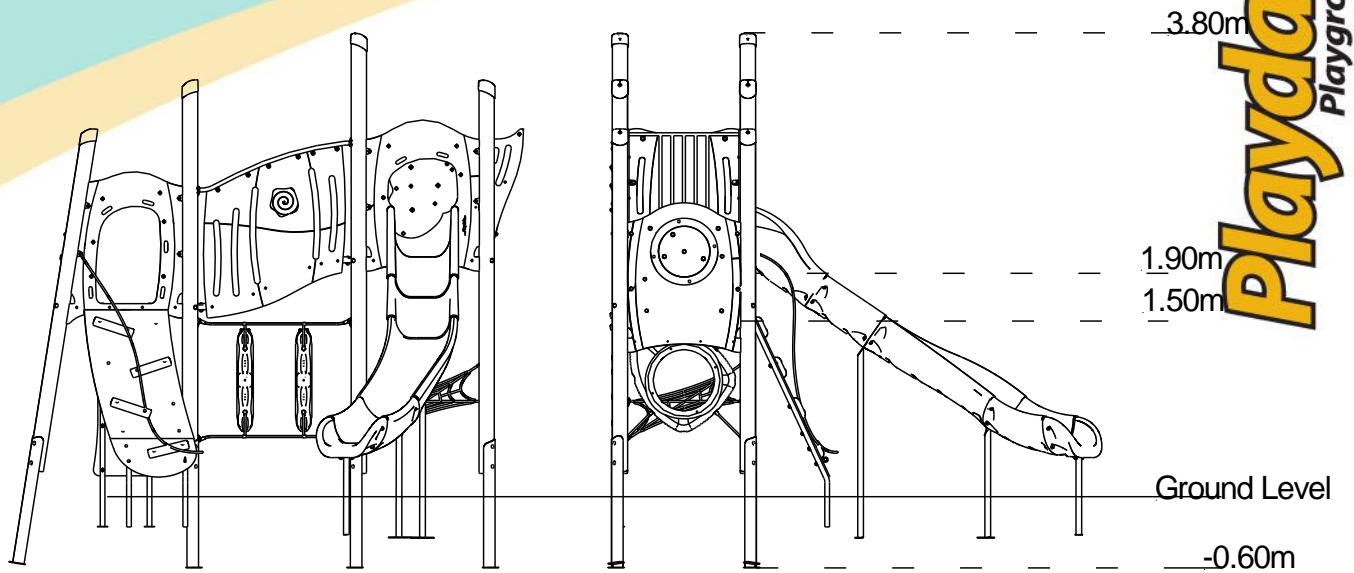
Longest Part **3.7m**

Concrete Required **0.8m³**

Certified to EN 1176

[Click here for more information & downloads](#)





[Click here for more information & downloads](#)

