


## Jukebox – Motown Plus



-  Option A-  
Dark Blue/Yellow
-  Option B-  
Purple/Lime Green  
(Shown)
-  Option C-  
Green

**Code – JB/MOT/\*1**

<b>Age</b>
5-12 years
<b>Materials</b>
Laminated Timber
Compact Grade Laminate (CGL)
Galvanised or Painted Mild Steel
Nylon Steel Cored Rope
Stainless Steel
Various Plastic Mouldings

### A junior tower system comprising of:

- Square Tower (1.5m)
- Square Tower (1.9m)
- Triangular Tower (1.9m)
- Pole Slide (1.5m)
- Tunnel Access
- Twisted Scramble Net (1.9m)
- Inclined Net Pit
- Curved Bridge
- Climber with Fireman's Pole (1.5m)
- Spinner
- Rope Weaver
- Bubble Play Panel
- Ball Maze Play Panel

### Technical Information

#### Equipment Dimensions

Length / Width / Height **11.8m x 5.9m x 3.8m**

#### Surfacing and Area Required

Recommended Minimum Space  
L/W/H **15.4m x 9.3m x 5.0m**

Max Gradient of Ground **1 in 50**

Free Height of Fall **1.9m**

Impact Area **92.05m<sup>2</sup>**

Synthetic Area  
(i.e. EPDM / Wetpour / Synthetic Grass etc.) **88.35m<sup>2</sup>**

Loosefill at 250mm  
(i.e. Bark / Cushionfall / Sand) **26m<sup>3</sup>**

Grasslok Tiles **110m<sup>2</sup>**

#### Installation Information

Steel Ground Fixed

Surface Fixed  
(if different)

Installation Time **2 Person(s) 19 Hour(s)**

Overall Weight **1316kg**

Heaviest Part **40kg**

Largest Part **1.5m x 0.9m x 1.3m**

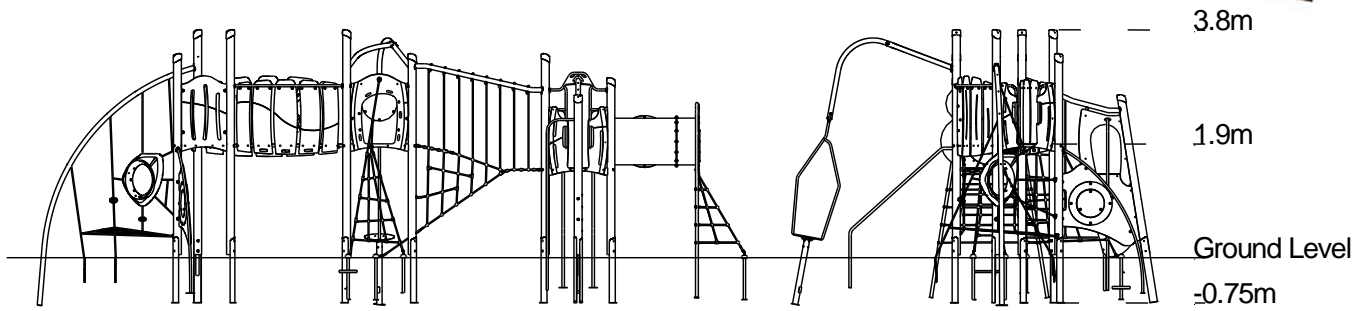
Longest Part **3.7m**

Concrete Required **1.6m<sup>3</sup>**

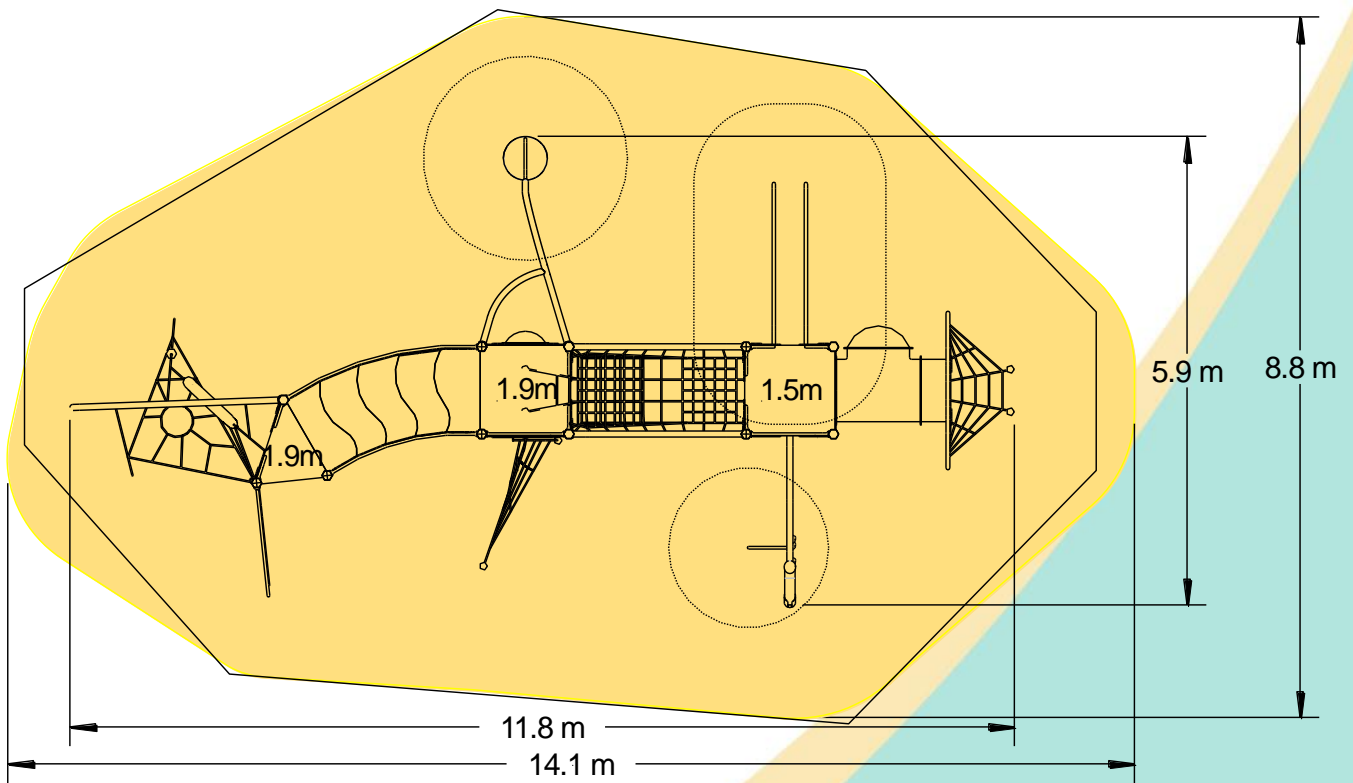
Certified to EN 1176

[Click here for more information & downloads](#)





-  Impact Area
-  Free Space
-  Synthetic Area



[Click here for more information & downloads](#)

