


## Jukebox – Jumping Jive Plus



-  Option A-  
Dark Blue/Yellow  
(Shown)
-  Option B-  
Purple/Lime Green
-  Option C-  
Green

### Code – JB/JMP/\*2

<b>Age</b>
5-12 years
<b>Materials</b>
Laminated Timber
Compact Grade Laminate (CGL)
Galvanised or Painted Mild Steel
Nylon Steel Cored Rope
Stainless Steel Slide
Stainless Steel
Sawn Timber
Various Plastic Mouldings

### A junior tower system comprising of:

- Square Tower (1.5m)
- 3 x Square Towers (1.9m)
- Slide (1.9m)
- Inverted Climber (1.9m)
- Climbing Wall (1.5m)
- Rope Ramp (1.9m)
- Rope Climb (1.9m)
- Twisted Scramble Net (1.9m)
- Curved Bridge
- Inclined Net Pit
- Rope Weaver
- Spinner
- Spiders Web
- Trapeze Handles
- Bubble Play Panel
- Ball Blast Play Panel

## Technical Information

### Equipment Dimensions

Length / Width / Height **10.5m x 7.6m x 3.8m**

### Surfacing and Area Required

Recommended Minimum Space  
L/W/H **14.1m x 11.4m x 5.0m**

Max Gradient of Ground **1 in 50**

Free Height of Fall **1.9m**

Impact Area **107.66m<sup>2</sup>**

Synthetic Area  
(i.e. EPDM / Wetpour / Synthetic Grass etc.) **105.99m<sup>2</sup>**

Loosefill at 250mm  
(i.e. Bark / Cushionfall / Sand) **31m<sup>3</sup>**

Grasslok Tiles **128m<sup>2</sup>**

### Installation Information

Steel Ground Fixed

Surface Fixed  
(if different)

Installation Time **2 Person(s) 23 Hour(s)**

Overall Weight **1624kg**

Heaviest Part **50kg**

Largest Part **3.7m x 0.5m x 0.5m**

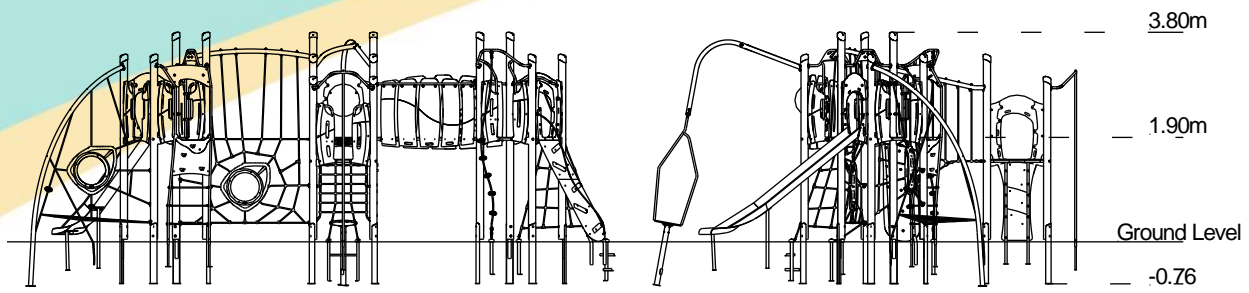
Longest Part **3.7m**

Concrete Required **1.9m<sup>3</sup>**

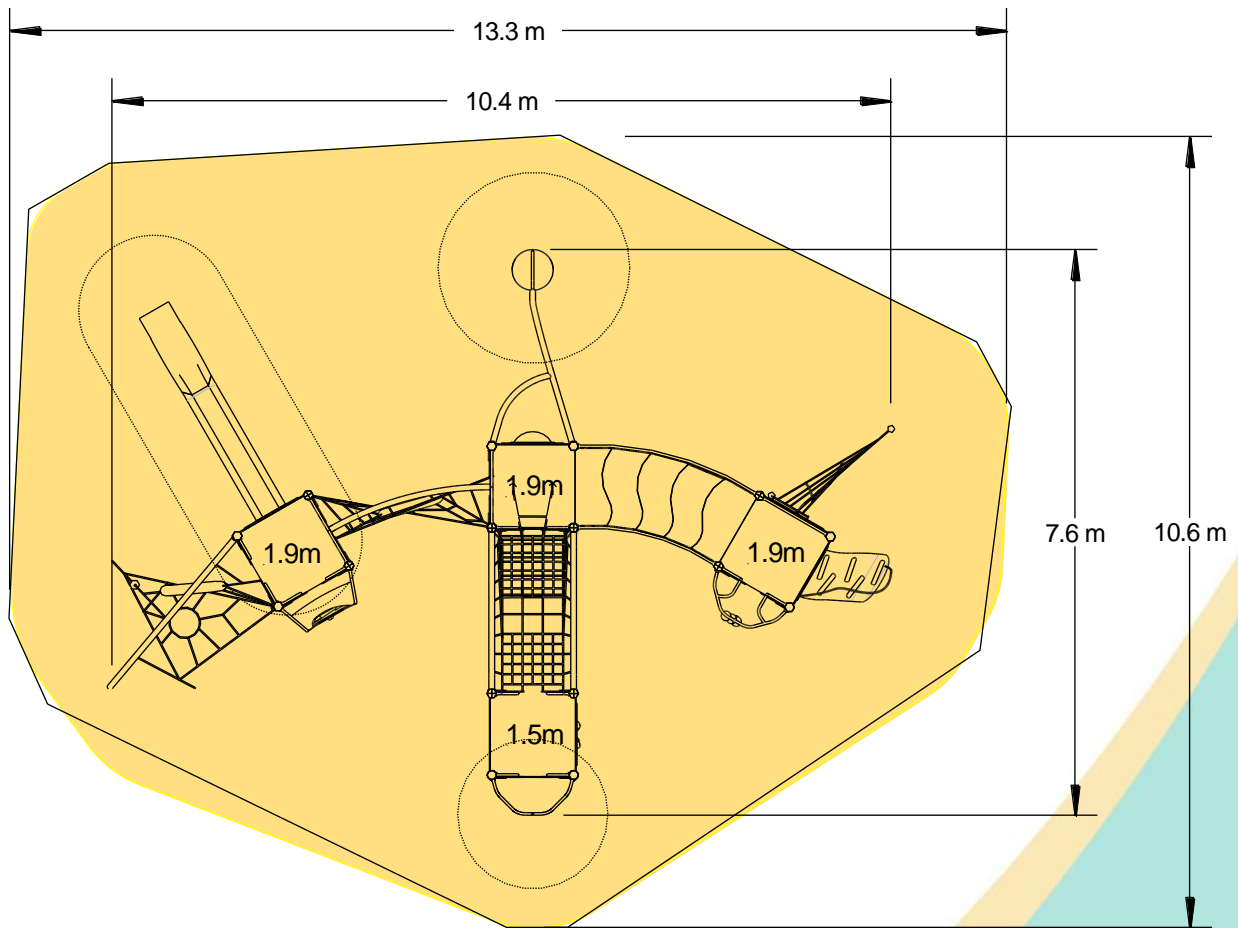
Certified to EN 1176

[Click here for more information & downloads](#)





- Impact Area
- Free Space
- Synthetic Area



[Click here for more information & downloads](#)

