


Jukebox – Jitterbug Plus



-  Option A-
Dark Blue/Yellow
(Shown)
-  Option B-
Purple/Lime Green
-  Option C-
Green

Code – JB/JIT/*1	
Age	
5-12 years	
Materials	
Laminated Timber	
Compact Grade Laminate (CGL)	
Galvanised or Painted Mild Steel	
Nylon Steel Cored Rope	
LLDPE Slide	
Stainless Steel	
Sawn Timber	
Various Plastic Mouldings	

A junior tower system comprising of:

- Square Tower (1.1m)
- Square Tower (1.5m)
- Triangular Tower (1.1m)
- Slide (1.5m)
- Fireman's Pole (1.1m)
- Rope Ramp (1.1m)
- Twisted Scramble Net (1.5m)
- Inclined Tunnel
- Bridge
- Hangabout Seat
- Lookout Tower
- Ball Blast Play Panel
- Puzzle Ball Play Panel

Technical Information

Equipment Dimensions

Length / Width / Height **5.6m x 5.3m x 3.4m**

Surfacing and Area Required

Recommended Minimum Space
L/W/H **9.1m x 9.1m x 4.6m**

Max Gradient of Ground **1 in 50**

Free Height of Fall **1.5m**

Impact Area **51.34m²**

Synthetic Area
(i.e. EPDM / Wetpour / Synthetic Grass etc.) **51.54m²**

Loosefill at 250mm
(i.e. Bark / Cushionfall / Sand) **16m³**

Grasslok Tiles **66m²**

Installation Information

Steel Ground Fixed

Surface Fixed
(if different)

Installation Time **2 Person(s) 17 Hour(s)**

Overall Weight **949kg**

Heaviest Part **39.6kg**

Largest Part **3.4m x 1.0m x 1.7m**

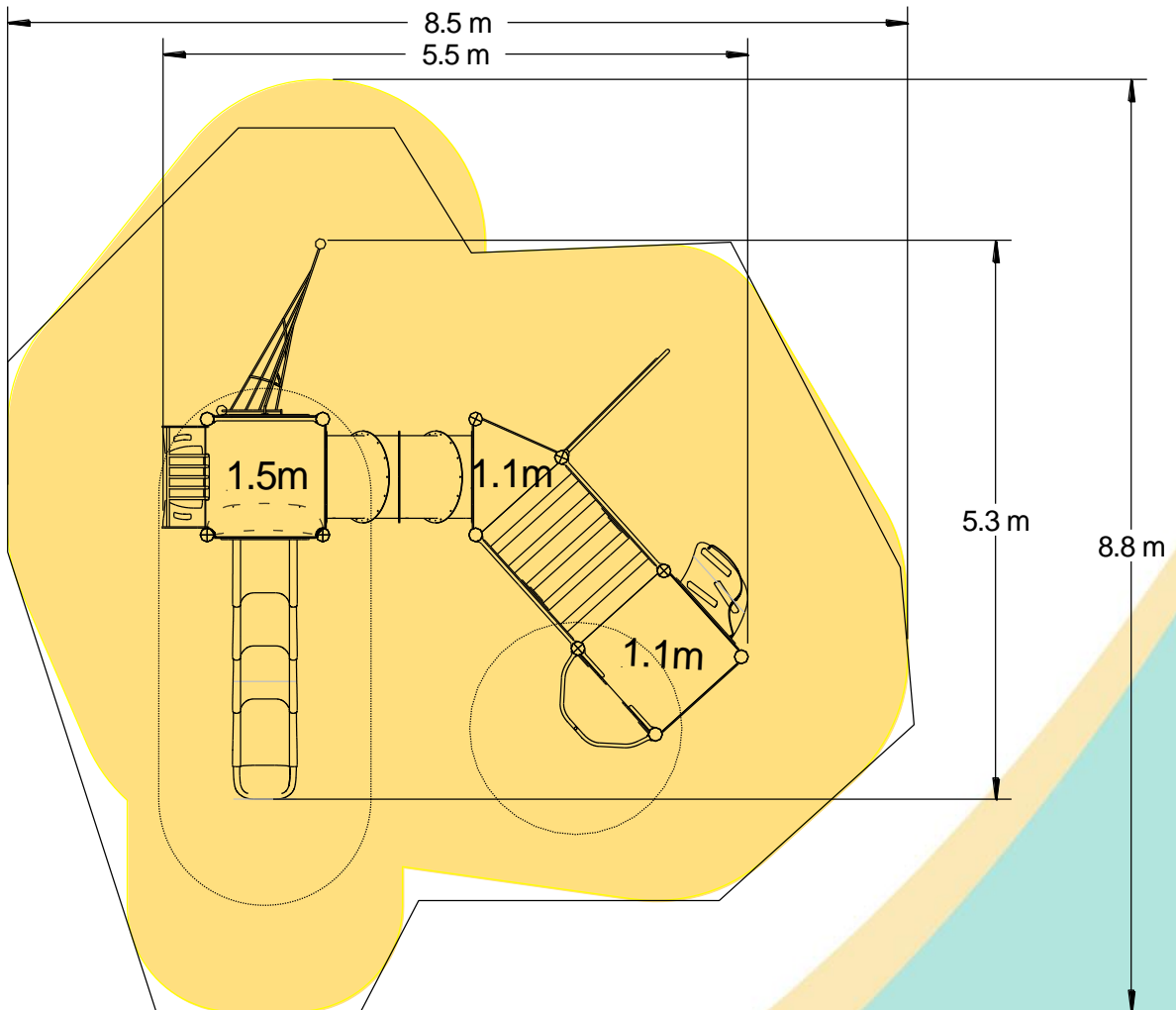
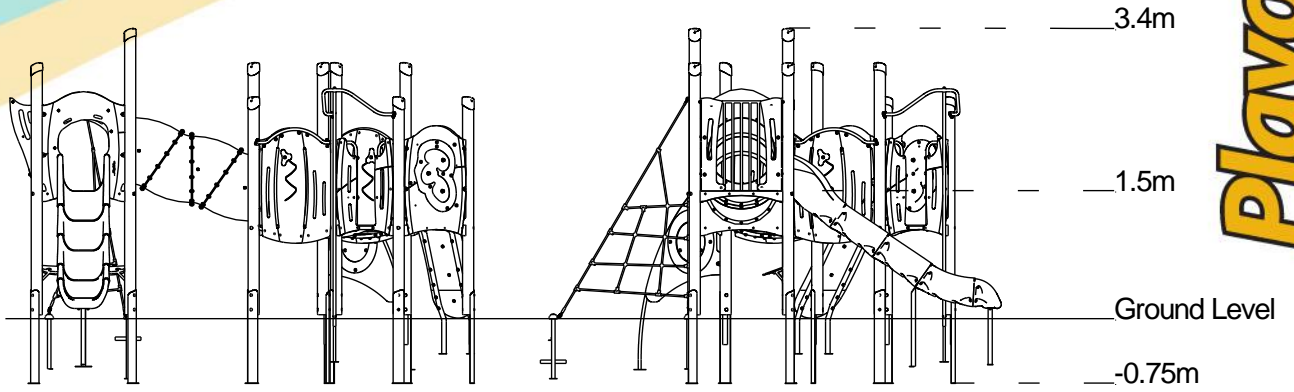
Longest Part **3.4m**

Concrete Required **1.1m³**

Certified to EN 1176

[Click here for more information & downloads](#)





[Click here for more information & downloads](#)

