

# Big City Plus - Innsbruck Plus



-  **Option A**  
Dark Blue & Orange (shown)
-  **Option B**  
Purple & Yellow
-  **Option C**  
All Green

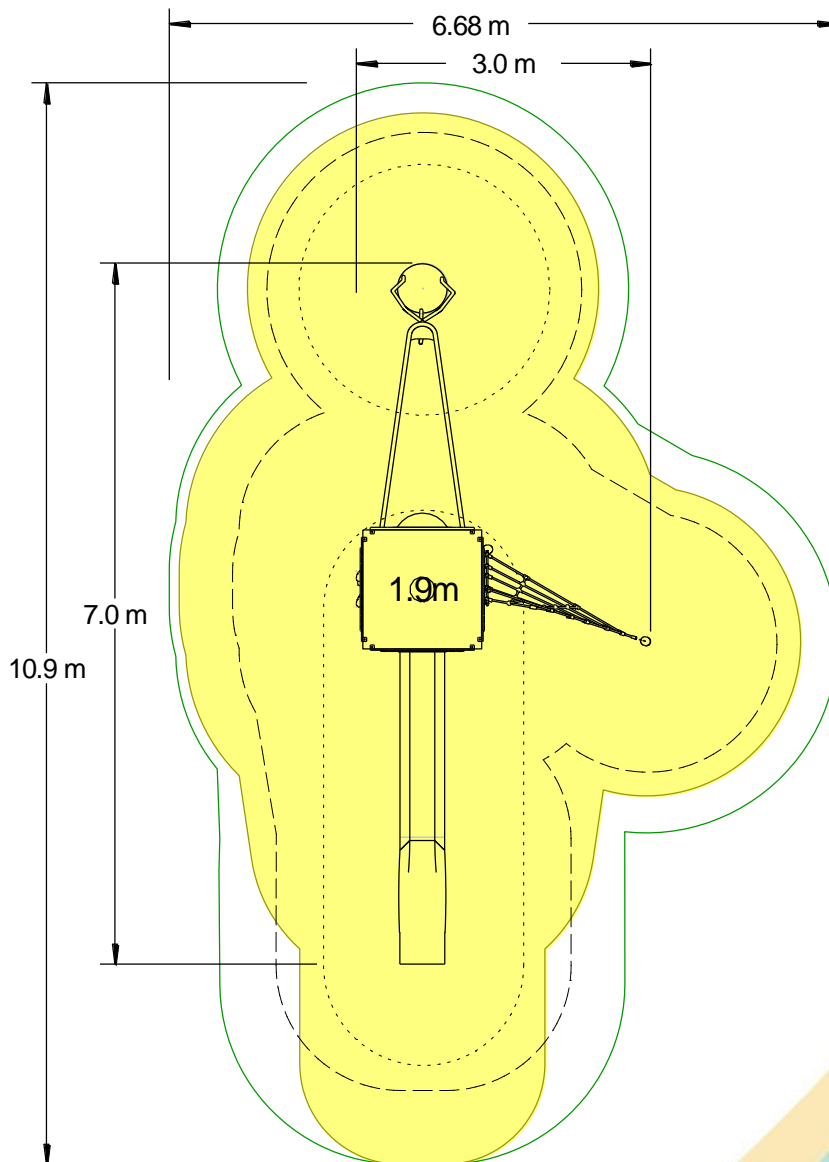
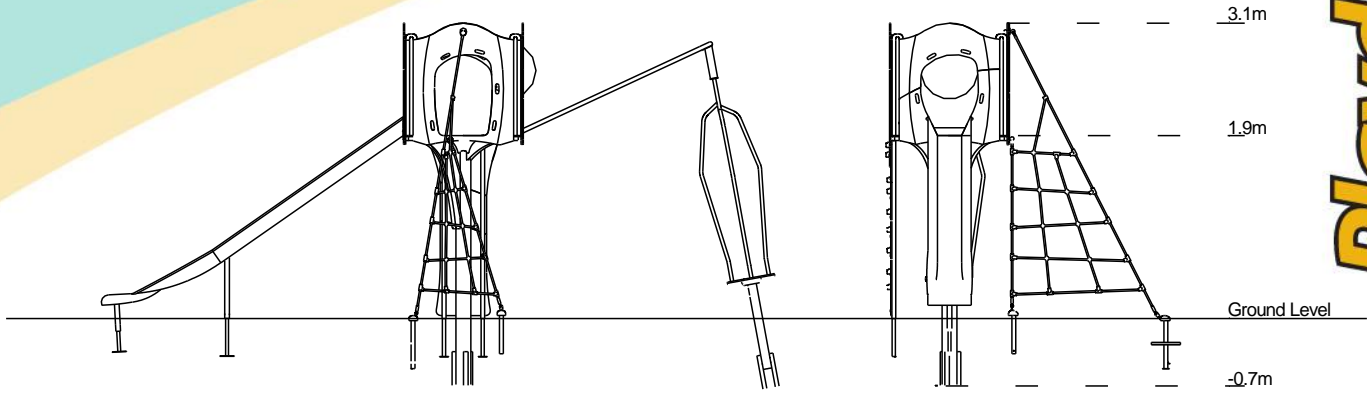
<b>Code – BC/INN*2</b>	
<b>Age</b>	5-12 years
<b>Materials</b>	Stainless Steel Compact Grade Laminate (CGL) Nylon Steel Cored Rope Various Plastic Mouldings LLDPE Slide

**A junior modular tower system comprising of:**

- Square Tower (1.9m)
- Slide (1.9m)
- Climbing Wall (1.9m)
- Twisted Scramble Net (1.9m)
- Spinner

<b>Technical Information</b>		
<b>Equipment Dimensions</b>		
Length / Width / Height	7.0m x 3.0m x 3.1m	
<b>Surfacing and Area Required</b>		
Recommended Minimum Space L/W/H	10.9m x 6.7m x 5.6m	
Max Gradient of Ground	1 in 50	
Free Height of Fall	1.9m	
Impact Area	39.73m <sup>2</sup>	
Synthetic Area (i.e. EPDM / Wet Pour / Synthetic Grass etc.)	41.71m <sup>2</sup>	
Loosefill at 250mm (i.e. Bark / Cushionfall / Sand)	13m <sup>3</sup>	
GrassLok Tiles	57m <sup>2</sup>	
<b>Installation Information</b>	<b>SGF</b>	<b>SF (if different)</b>
Installation Time	2 Persons 11 Hours	
Overall Weight	3560kg	
Heaviest Part	44kg	
Largest Part	3.7m x 0.4m x 0.4m	
Longest Part	3.7m	
Concrete Required	0.73m <sup>3</sup>	0.98m <sup>3</sup>
Certified to ASTM F1487		

[Click here for more information & downloads](#) 



-  Recommended Minimum Space
-  Impact Area
-  Free Space
-  Unit Spacing Boundary

[Click here for more information & downloads](#)

