

# Big City Plus - Innsbruck Plus



**Option A**  
Dark Blue & Orange  
(shown)

**Option B**  
Purple & Yellow

**Option C**  
All Green

## A junior modular tower system comprising of:

- Square Tower (1.9m)
- Slide (1.9m)
- Climbing Wall (1.9m)
- Twisted Scramble Net (1.9m)
- Spinner

## Code – BC/INN\*1

### Age

5-12 years

### Materials

Stainless Steel

Compact Grade Laminate  
(CGL)

Nylon Steel Cored Rope

Various Plastic Mouldings

LLDPE Slide

## Technical Information

### Equipment Dimensions

Length / Width / Height **7.0m x 3.0m x 3.1m**

### Surfacing and Area Required

Recommended Minimum Space  
L/W/H **10.7m x 6.7m x 5.6m**

Max Gradient of Ground **1 in 50**

Free Height of Fall **1.9m**

Impact Area **40.11m<sup>2</sup>**

Synthetic Area  
(i.e. EPDM / Wet Pour / Synthetic Grass etc.) **42.05m<sup>2</sup>**

Loosefill at 250mm  
(i.e. Bark / Cushionfall / Sand) **13m<sup>3</sup>**

GrassLok Tiles **58m<sup>2</sup>**

### Installation Information

SGF

SF (if different)

Installation Time **2 Persons 11 Hours**

Overall Weight **3004kg**

Heaviest Part **33kg**

Largest Part **2.4m x 0.9m x 0.6m**

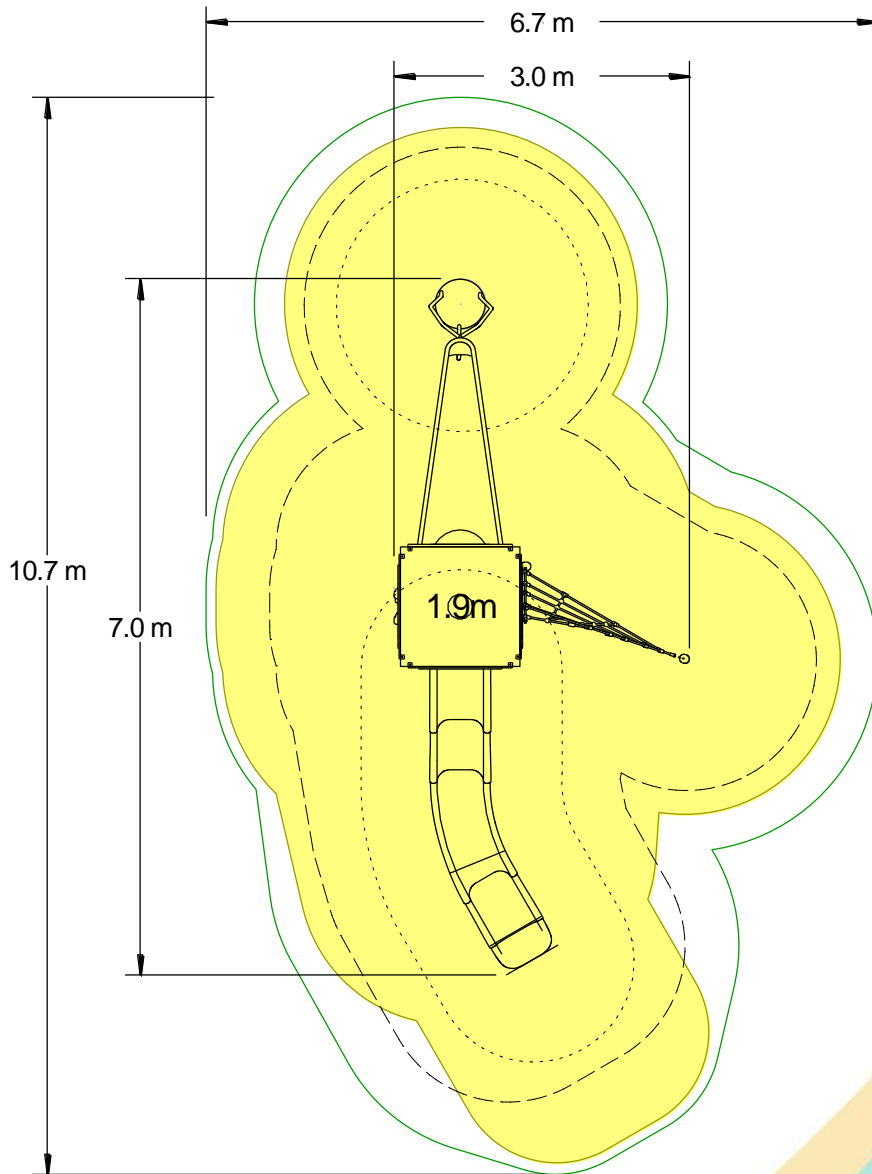
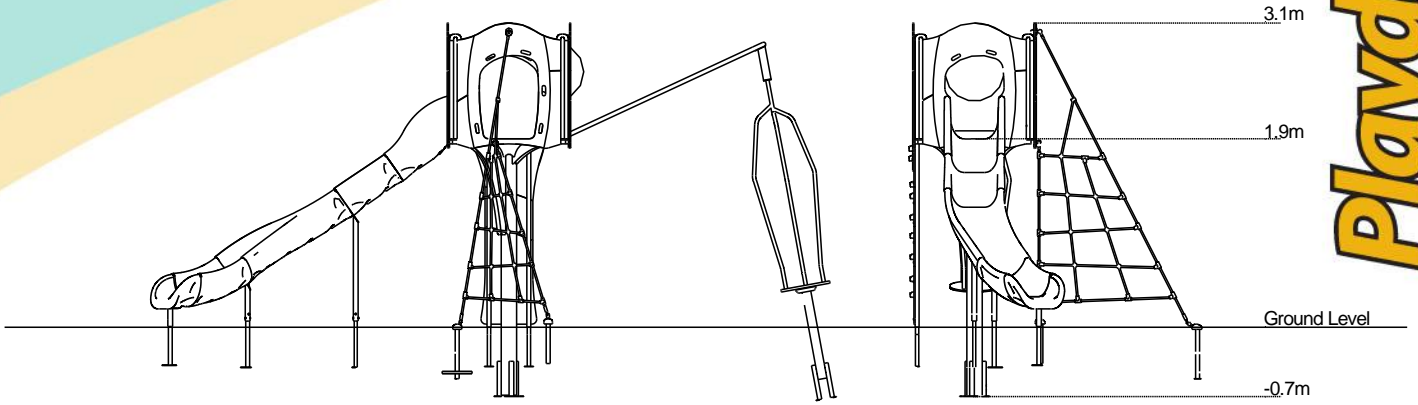
Longest Part **2.4mm**

Concrete Required **0.4m<sup>2</sup>** **0.64m<sup>2</sup>**

Certified to ASTM F1487

[Click here for more information & downloads](#)





-  Recommended Minimum Space
-  Impact Area
-  Free Space
-  Unit Spacing Boundary

[Click here for more information & downloads](#)

