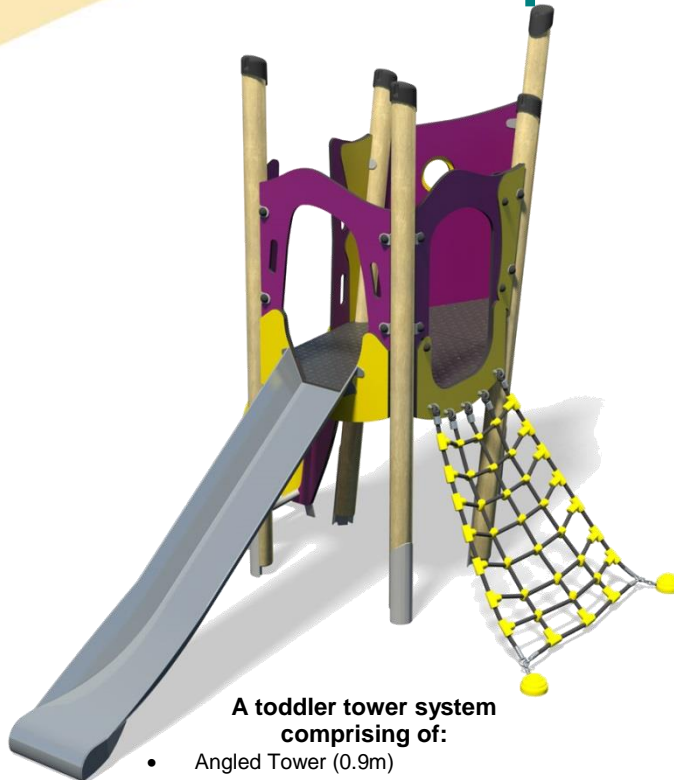


Little Hamlets – Eccup Plus



A toddler tower system comprising of:

- Angled Tower (0.9m)
- Triangular Lookout Tower (0.9m)
- Slide (0.9m)
- Scramble Net (0.9m)
- Ladder (0.9m)

 **Option A-
Light Blue/Yellow**

 **Option B-
Purple/Yellow
(Shown)**

 **Option C-
Green**

Code – LTH/ECC/*2

Age	2-5 years
Materials	Laminated Timber Compact Grade Laminate (CGL) Galvanised or Painted Mild Steel Nylon Steel Cored Rope Stainless Steel Slide Stainless Steel Various Plastic Mouldings

Technical Information

Equipment Dimensions

Length / Width / Height **3.2m x 1.8m x 2.2m**

Surfacing and Area Required

Recommended Minimum Space
L/W/H **6.7m x 5.6m x 3.4m**

Max Gradient of Ground **1 in 50**

Free Height of Fall **0.9**

Impact Area **19.40m²**

Synthetic Area
(i.e. EPDM / Wetpour / Synthetic Grass etc.) **17.56m²**

Loosefill at 250mm
(i.e. Bark / Cushionfall / Sand) **8m³**

1m x 1m Grassmats **25m²**

Installation Information

Steel Ground Fixed

**Surface Fixed
(if different)**

Installation Time **2 Person(s) 8 Hour(s)**

Overall Weight **181kg**

Heaviest Part **16kg**

Largest Part **1.9m x 0.4m x 0.2m**

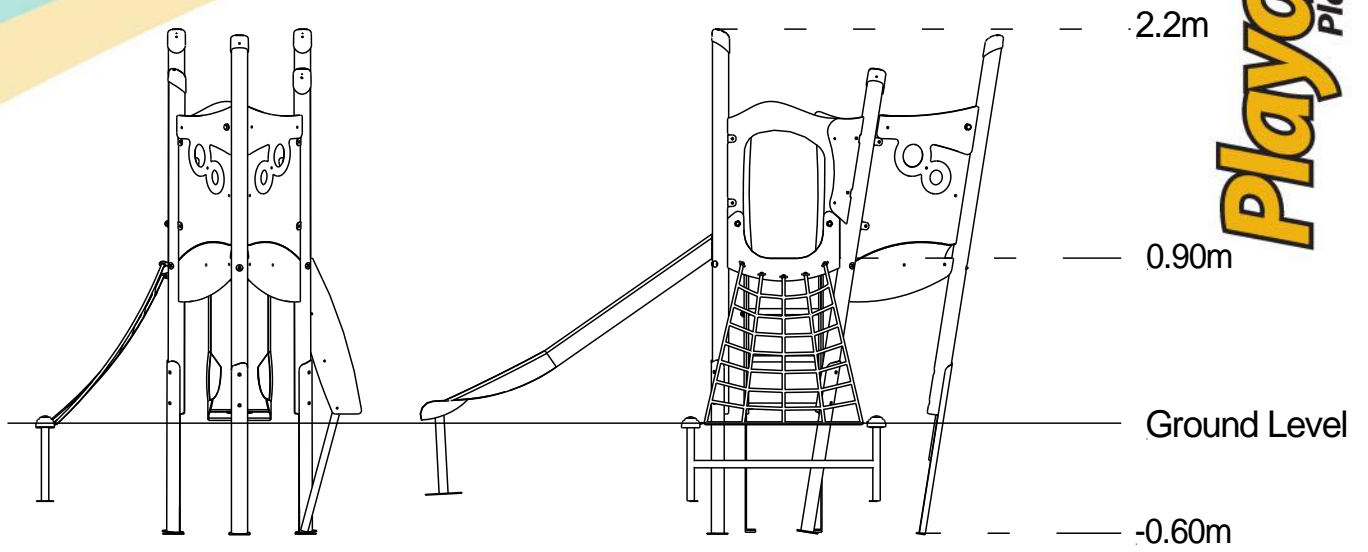
Longest Part **1.9m**

Concrete Required **0.6m³**

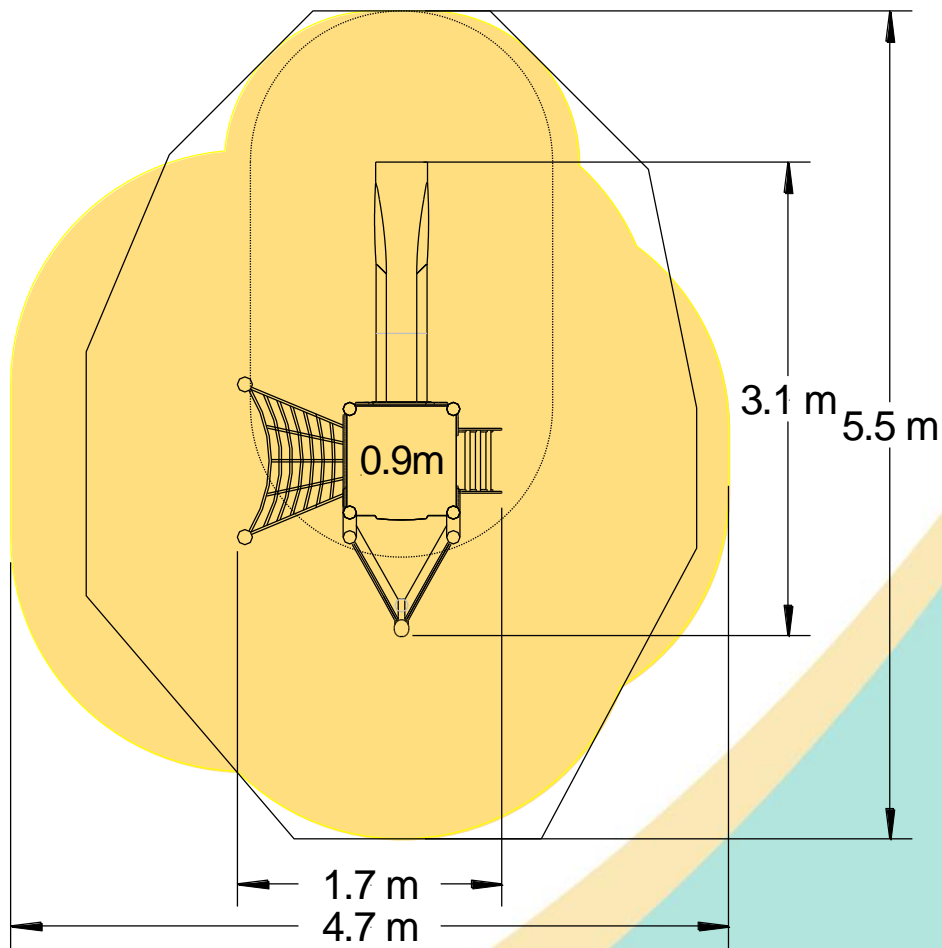
Certified to EN 1176

[Click here for more information & downloads](#)





-  Impact Area
-  Free Space
-  Synthetic Area



[Click here for more information & downloads](#)

