

Jukebox – Drum and Bass Plus



-  Option A-
Dark Blue/Yellow
-  Option B-
Purple/Lime Green
(Shown)
-  Option C-
Green

Code – JB/DRM/*1

Age
5-12 years
Materials
Laminated Timber
Compact Grade Laminate (CGL)
Galvanised or Painted Mild Steel
Nylon Steel Cored Rope
LLDPE Slide
Stainless Steel
Sawn Timber
Various Plastic Mouldings

A junior tower system comprising of:

- Square Tower (1.5m)
- Square Tower (1.9m)
- Angled Tower (1.9m)
- Triangular Tower (1.5m)
- Triangular Tower (1.9m)
- Slide (1.9m)
- Pole Slide (1.5m)
- Inverted Climber (1.5m)
- Climbing Wall (1.9m)
- Hangabout Seat
- Lookout Tower
- Rope Ramp (1.5m)
- Rope Climb (1.9m)
- Twisted Scramble Net (1.9m)
- Inclined Tunnel
- Ring Crawl Tunnel
- Net Tunnel
- Bridge
- Climber with Fireman's Pole (1.5m)
- Spiders Web
- Bubble Play Panel
- Puzzle Ball Play Panel

Technical Information

Equipment Dimensions

Length / Width / Height **9.6m x 8.1m x 3.8m**

Surfacing and Area Required

Recommended Minimum Space
L/W/H **13.4m x 12.5m x 5.0m**

Max Gradient of Ground **1 in 50**

Free Height of Fall **1.9m**

Impact Area **100.30m²**

Synthetic Area
(i.e. EPDM / Wetpour / Synthetic Grass etc.) **101.99m²**

Loosefill at 250mm
(i.e. Bark / Cushionfall / Sand) **29m³**

Grasslok Tiles **120m²**

Installation Information

Steel Ground Fixed

Surface Fixed
(if different)

Installation Time **2 Person(s) 21 Hour(s)**

Overall Weight **1880kg**

Heaviest Part **40kg**

Largest Part **2.4m x 1.0m x 0.6m**

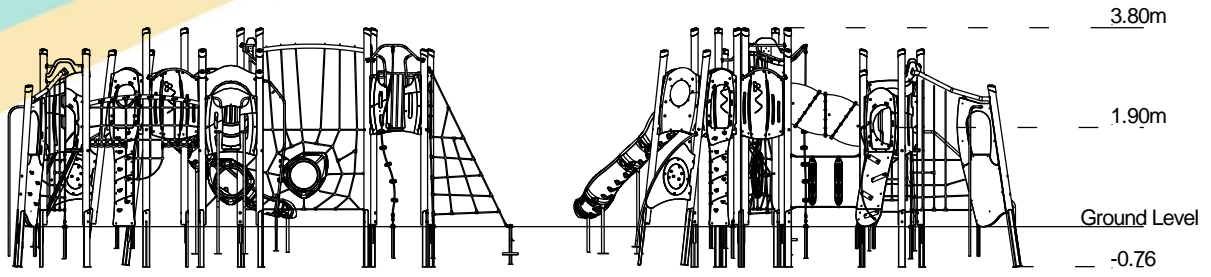
Longest Part **3.7m**

Concrete Required **1.9m³**

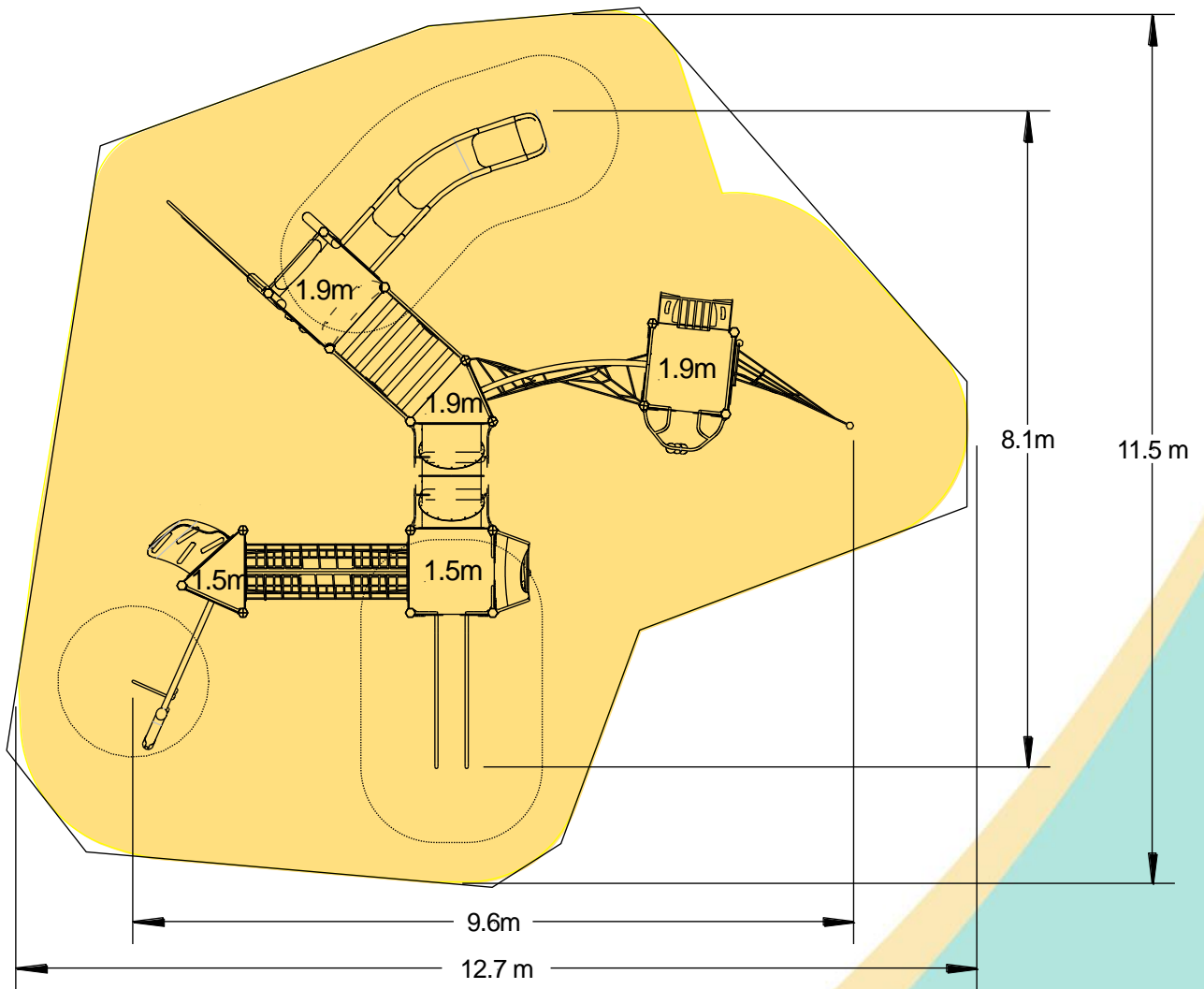
Certified to EN 1176

[Click here for more information & downloads](#)





- Impact Area
- Free Space
- Synthetic Area



[Click here for more information & downloads](#)

