

# Big City Plus - Athens Plus



-  **Option A**  
Dark Blue & Orange  
(shown)
-  **Option B**  
Purple & Yellow
-  **Option C**  
All Green

## Code – BC/ATH\*2

### Age

5-12 years

### Materials

Stainless Steel

Nylon Steel Cored Rope

Compact Grade Laminate  
(CGL)

Various Plastic Mouldings

LLDPE Slide

### A junior modular tower system comprising of:

- Square Tower (1.9m)
- Square Tower 1.5m
- Slide (1.9m)
- Side Climber (1.9m)
- Fireman's Pole (1.5m)
- Twisted Climbing Net (1.5m)
- Side Ladder (1.5m)
- Inclined Net Bridge
- Spin Ball Above Play Panel
- Side Ladder (1.9m)

## Technical Information

### Equipment Dimensions

Length / Width / Height **6.4m x 4.9m x 3.5m**

### Surfacing and Area Required

Recommended Minimum Space  
L/W/H **9.8m x 8.8m x 4.7m**

Max Gradient of Ground **1 in 50**

Free Height of Fall **1.9m**

Impact Area **45.80m<sup>2</sup>**

Synthetic Area  
(i.e. EPDM / Wet Pour / Synthetic Grass etc.) **46.80m<sup>2</sup>**

Loosefill at 250mm  
(i.e. Bark / Cushionfall / Sand) **14m<sup>3</sup>**

GrassLok Tiles **63m<sup>2</sup>**

### Installation Information

SGF

SF (if different)

Installation Time **2 Persons 16 Hours**

Overall Weight **571kg**

Heaviest Part **44kg**

Largest Part **3.7m x 0.4m x 0.4m**

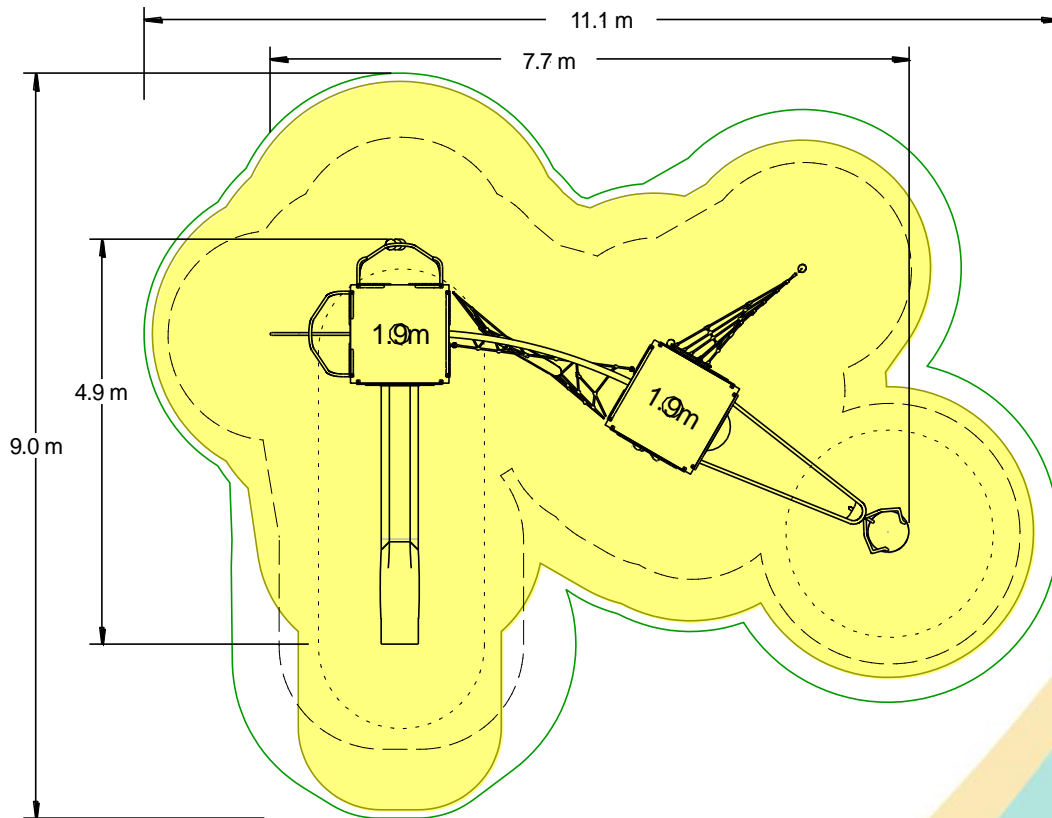
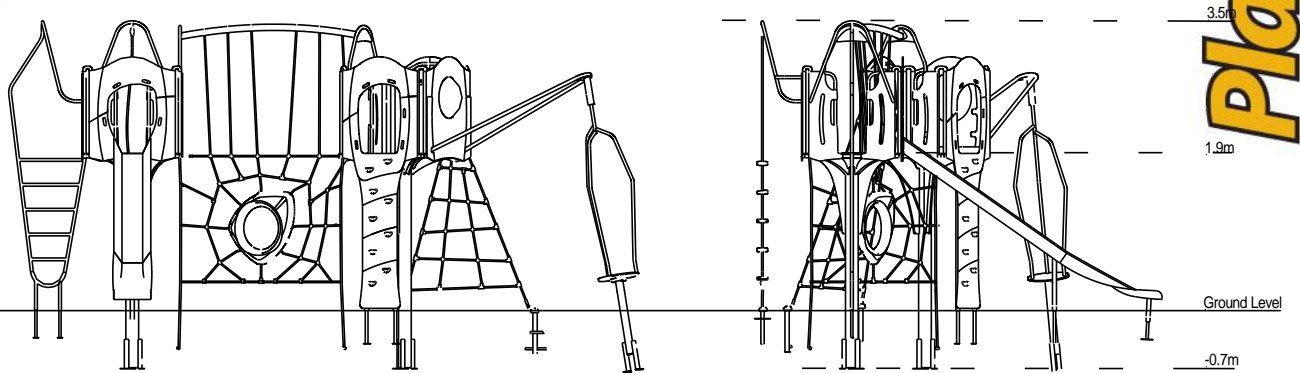
Longest Part **3.7m**

Concrete Required **0.77m<sup>3</sup>** **1.12m<sup>3</sup>**

Certified to ASTM F1487

[Click here for more information & downloads](#)





-  Recommended Minimum Space
-  Impact Area
-  Free Space
-  Unit Spacing Boundary

[Click here for more information & downloads](#)

