

# Big City Plus - Antwerp Plus



-  **Option A**  
Dark Blue & Orange (shown)
-  **Option B**  
Purple & Yellow
-  **Option C**  
All Green

**Code – BC/ANT\*1**

## Age

5-12 years

## Materials

Stainless Steel

Nylon Steel Cored Rope

Compact Grade Laminate (CGL)

Various Plastic Mouldings

LLDPE Slide

## A junior modular tower system comprising of:

- Square Tower (1.5m)
- Triangular Tower (1.1m)
- Slide (1.5m)
- Twisted Climbing Net (1.5m)
- Fireman's Pole (1.1m)
- Slide Climber (1.1m)
- Inclined Hoop Bars

## Technical Information

### Equipment Dimensions

Length / Width / Height **5.4m x 5.4m x 3.1m**

### Surfacing and Area Required

Recommended Minimum Space L/W/H **9.3m x 8.6m x 4.3m**

Max Gradient of Ground **1 in 50**

Free Height of Fall **1.5m**

Impact Area **42.55m<sup>2</sup>**

Synthetic Area (i.e. EPDM / Wet Pour / Synthetic Grass etc.) **42.19m<sup>2</sup>**

Loosefill at 250mm (i.e. Bark / Cushionfall / Sand) **13m<sup>3</sup>**

GrassLok Tiles **59m<sup>2</sup>**

### Installation Information

SGF

SF (if different)

Installation Time **2 Persons 14 Hours**

Overall Weight **515kg**

Heaviest Part **40kg**

Largest Part **3.0m x 0.6m x 0.6m**

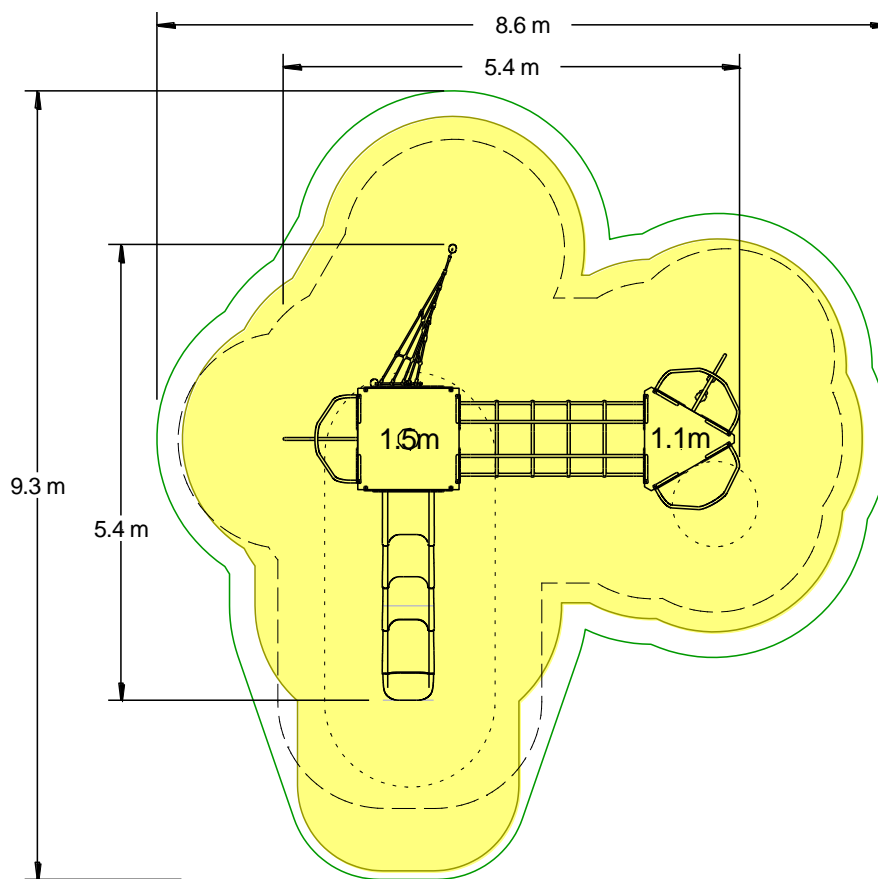
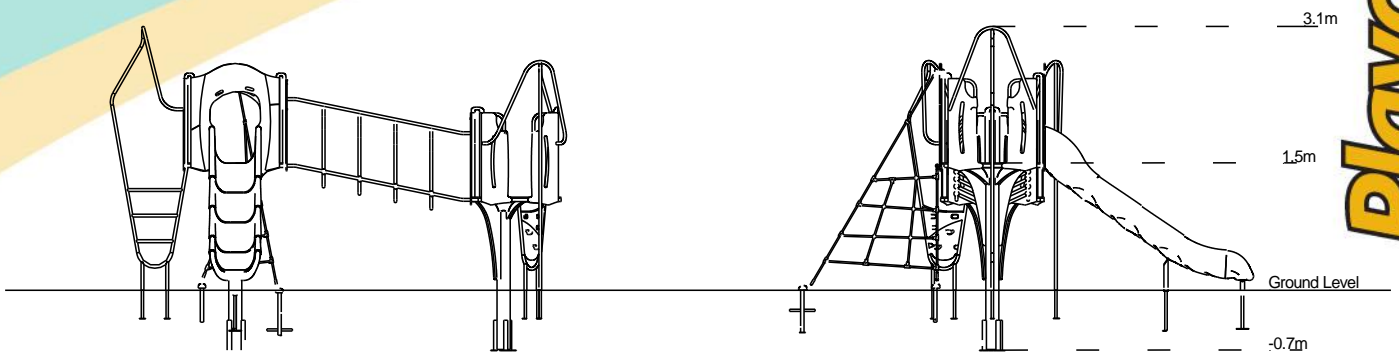
Longest Part **3.0m**

Concrete Required **0.72m<sup>3</sup>** **1.49m<sup>3</sup>**

Certified to ASTM F1487

[Click here for more information & downloads](#)





-  Recommended Minimum Space
-  Impact Area
-  Free Space
-  Unit Spacing Boundary

[Click here for more information & downloads](#)

